



www.rolleri.ro

SCULE SI ACCESORII PENTRU ABKANTURI TRUMPF®

Distribuitor:



Tel: (004) – 0374-991480

E-mail: [office \(at\) sm-tech.ro](mailto:office@sm-tech.ro)

<https://www.sm-tech.ro/>

www.rolleri.ro

TRUMPF-WILA TYPE

TPR.256-86-R1

86°

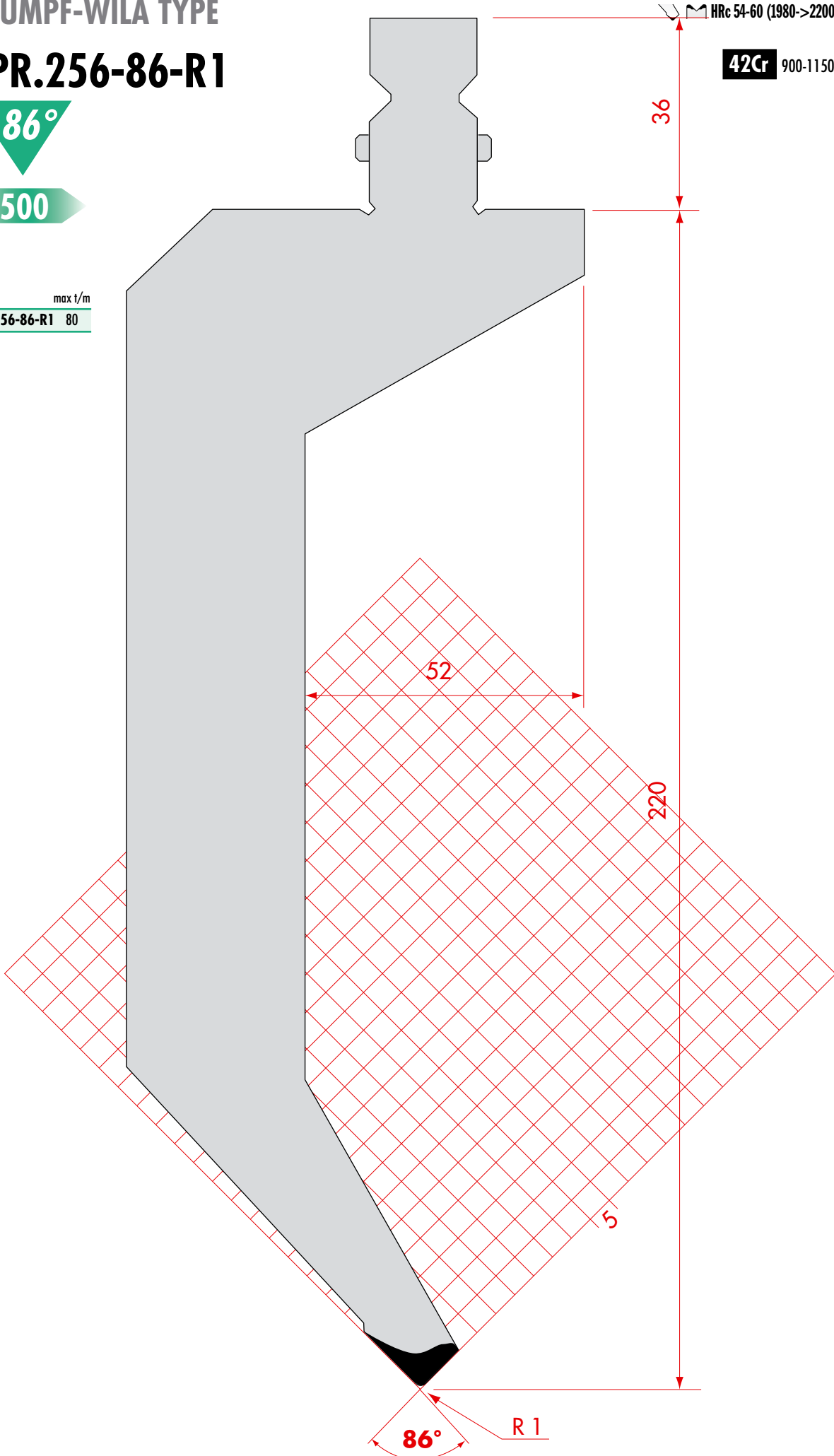
500

max t/m

TPR256-86-R1 80

HRC 54-60 (1980->2200 N/mm²)

42Cr 900-1150 N/mm²



TRUMPF-WILA TYPE

TRUMPF-WILA TYPE

TPR.256-86-R1-A

86°

500

max t/m

TPR256-86-R1-A 80

HRC 54-60 (1980->2200 N/mm²)

42Cr 900-1150 N/mm²

36

52

220

5

86°

R 1

TRUMPF-WILA TYPE

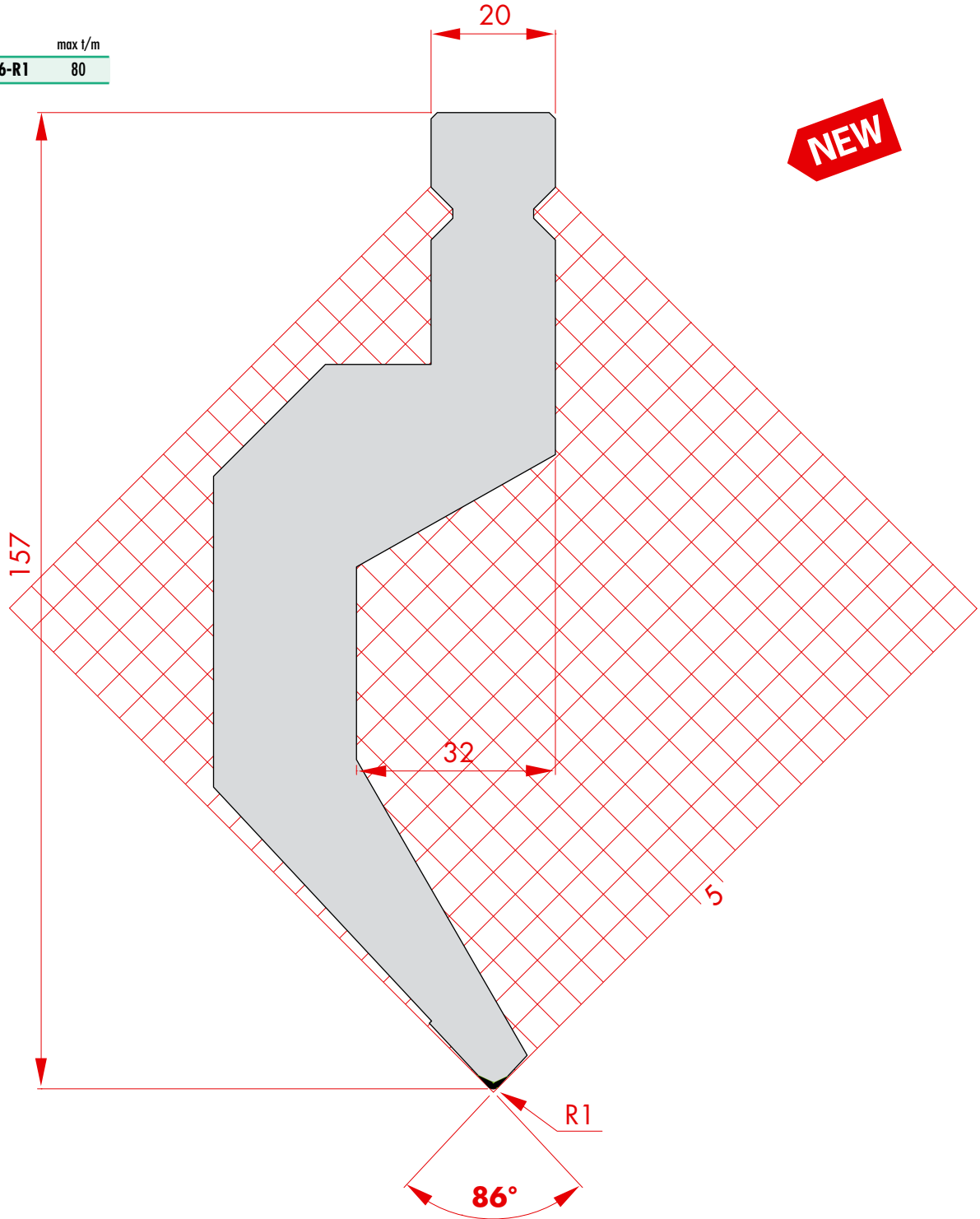
TPR.157-86-R1

42Cr 900-1150 N/mm²

86°

500

	max t/m
TPR157-86-R1	80



TRUMPF-WILA TYPE

TPR.157-86-R1-A

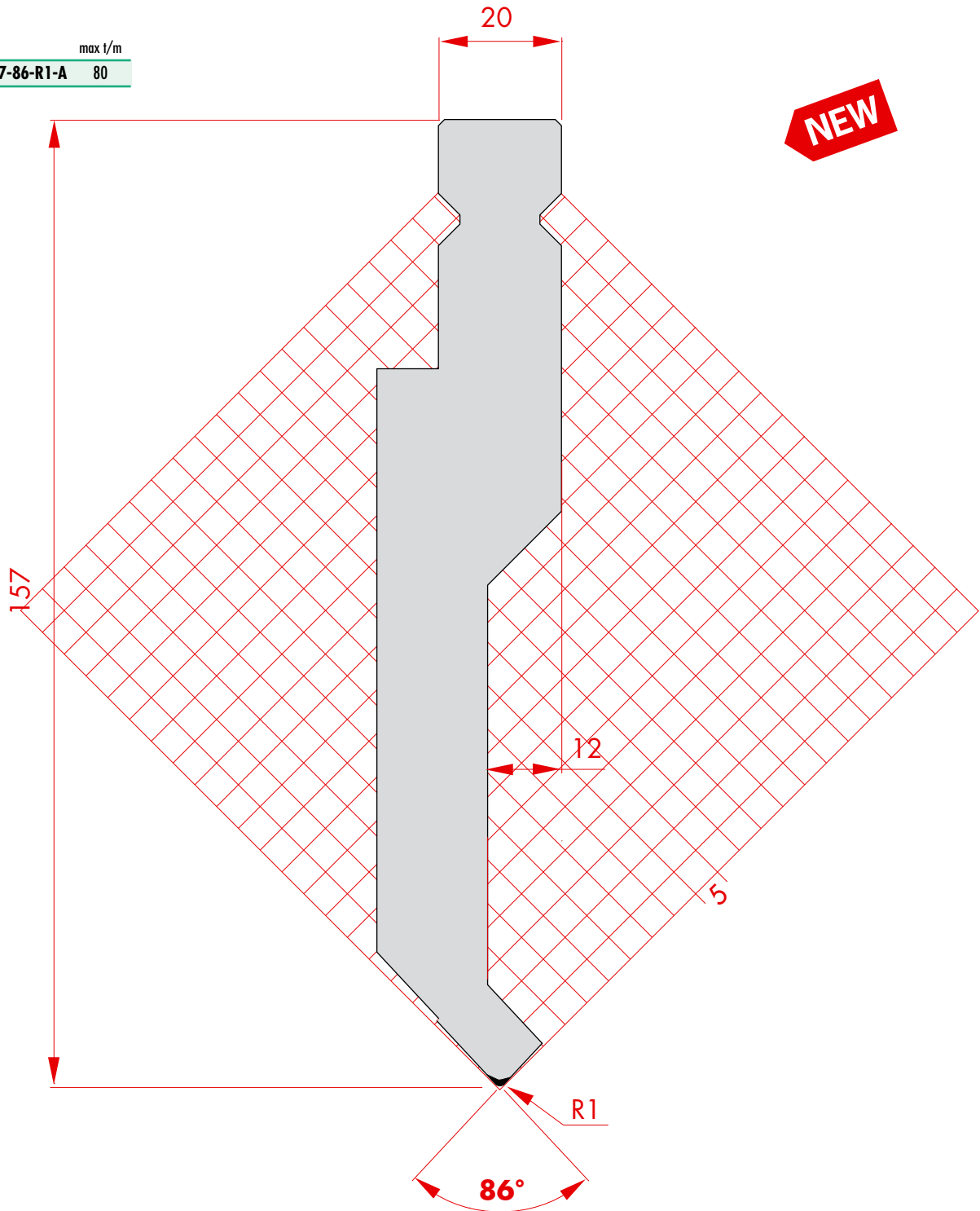
42Cr 900-1150 N/mm²

86°

500

max t/m
TPR157-86-R1-A 80

NEW



TRUMPF-WILA TYPE

TRUMPF-WILA TYPE

TPR.256-60-R4

60°

500

	max t/m
TPR256-60-R4	130

HRC 54-60 (1980->2200 N/mm²)

42Cr 900-1150 N/mm²

36

220

5

R4

60°

TRUMPF-WILA TYPE

TRUMPF-WILA TYPE

HRC 54-60 (1980->2200 N/mm²)

TPR.157-60-R4

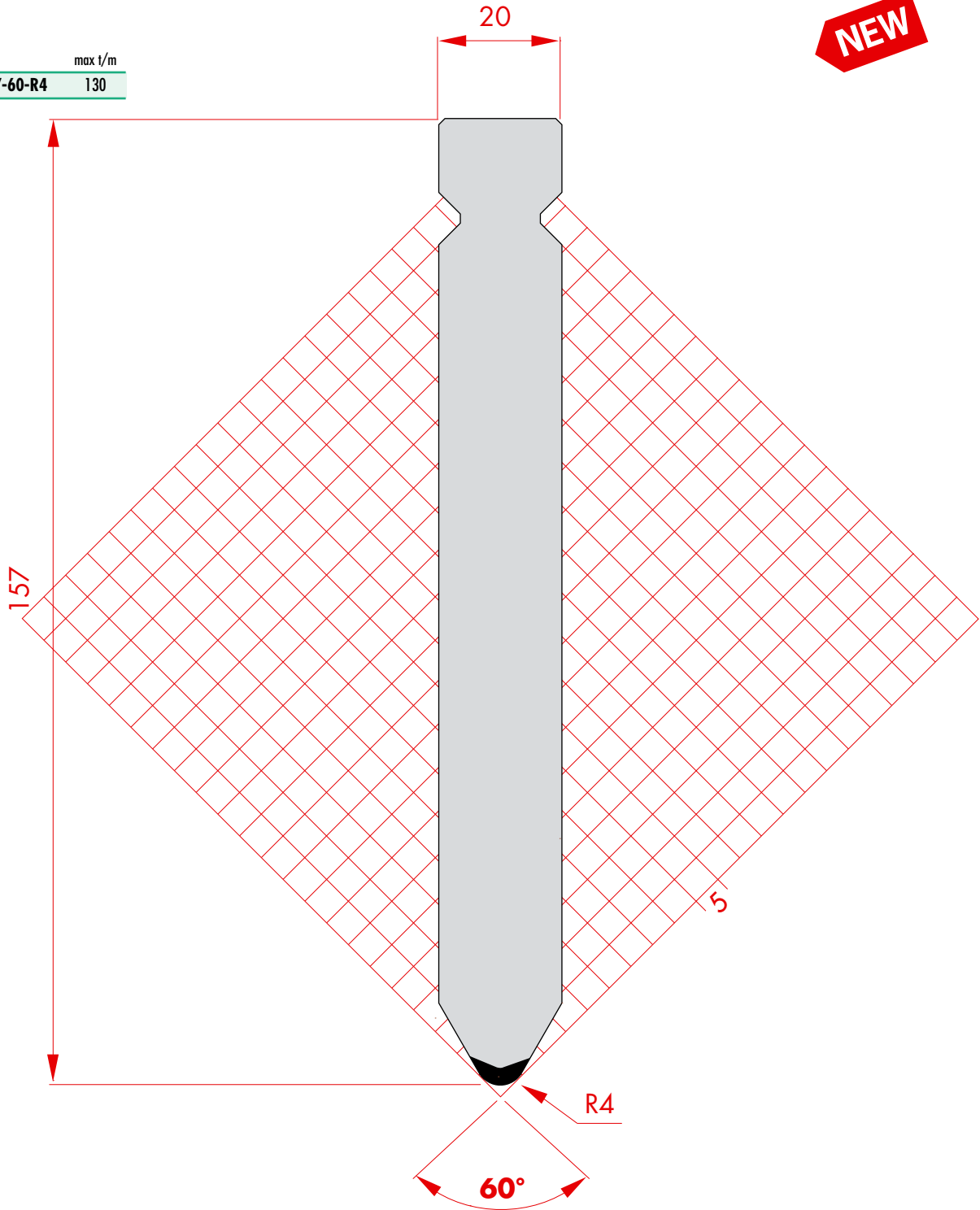
42Cr 900-1150 N/mm²

60°

500

NEW

	max t/m
TPR157-60-R4	130



TRUMPF-WILA TYPE

TRUMPF-WILA TYPE

TPR.256-28-R1

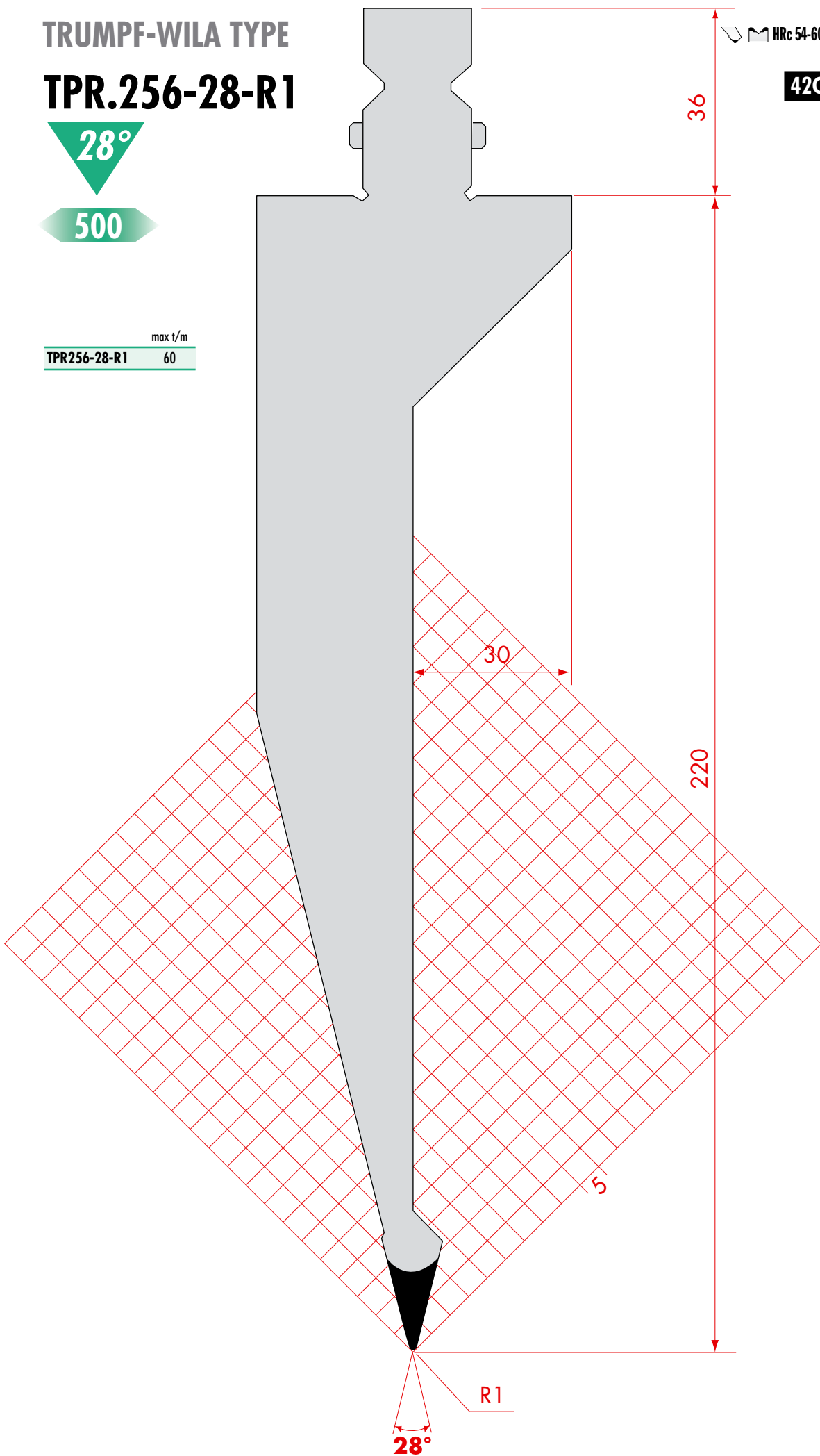
28°

500

	max t/m
TPR256-28-R1	60

HRC 54-60 (1980->2200 N/mm²)

42Cr 900-1150 N/mm²



TRUMPF-WILA TYPE

TRUMPF-WILA TYPE

TPR.276-28-R1

28°

500

10

HRC 54-60 (1980->2200 N/mm²)

42Cr 900-1150 N/mm²

36

	max t/m
TPR276-28-R1	40

60

45°

240

24,5

70

5

14°

R1

28°

TRUMPF-WILA TYPE

TPR.176-28-01

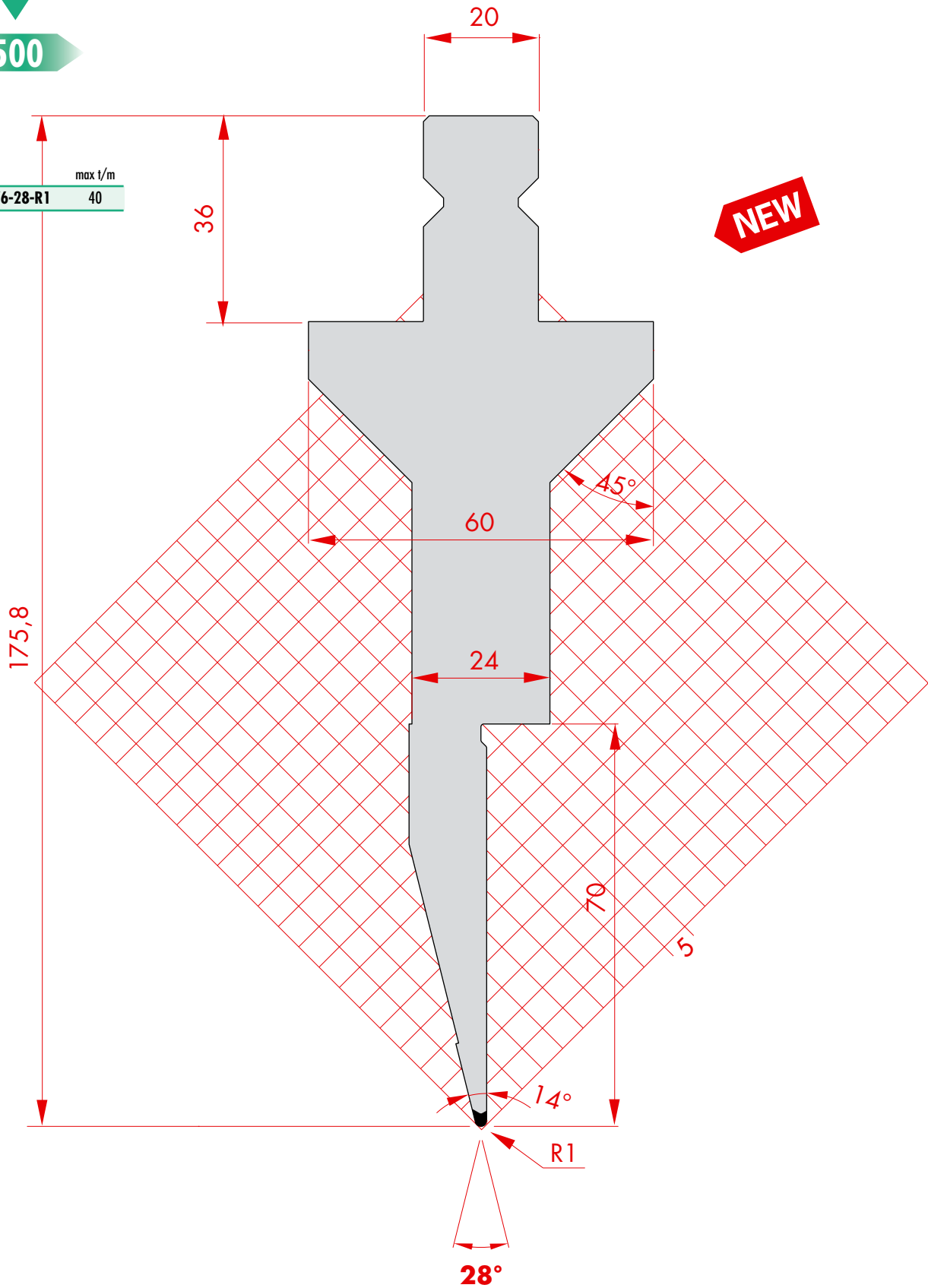
42Cr 900-1150 N/mm²

28°

500

	max t/m
TPR176-28-R1	40

NEW



TRUMPF-WILA TYPE

TRUMPF-WILA TYPE

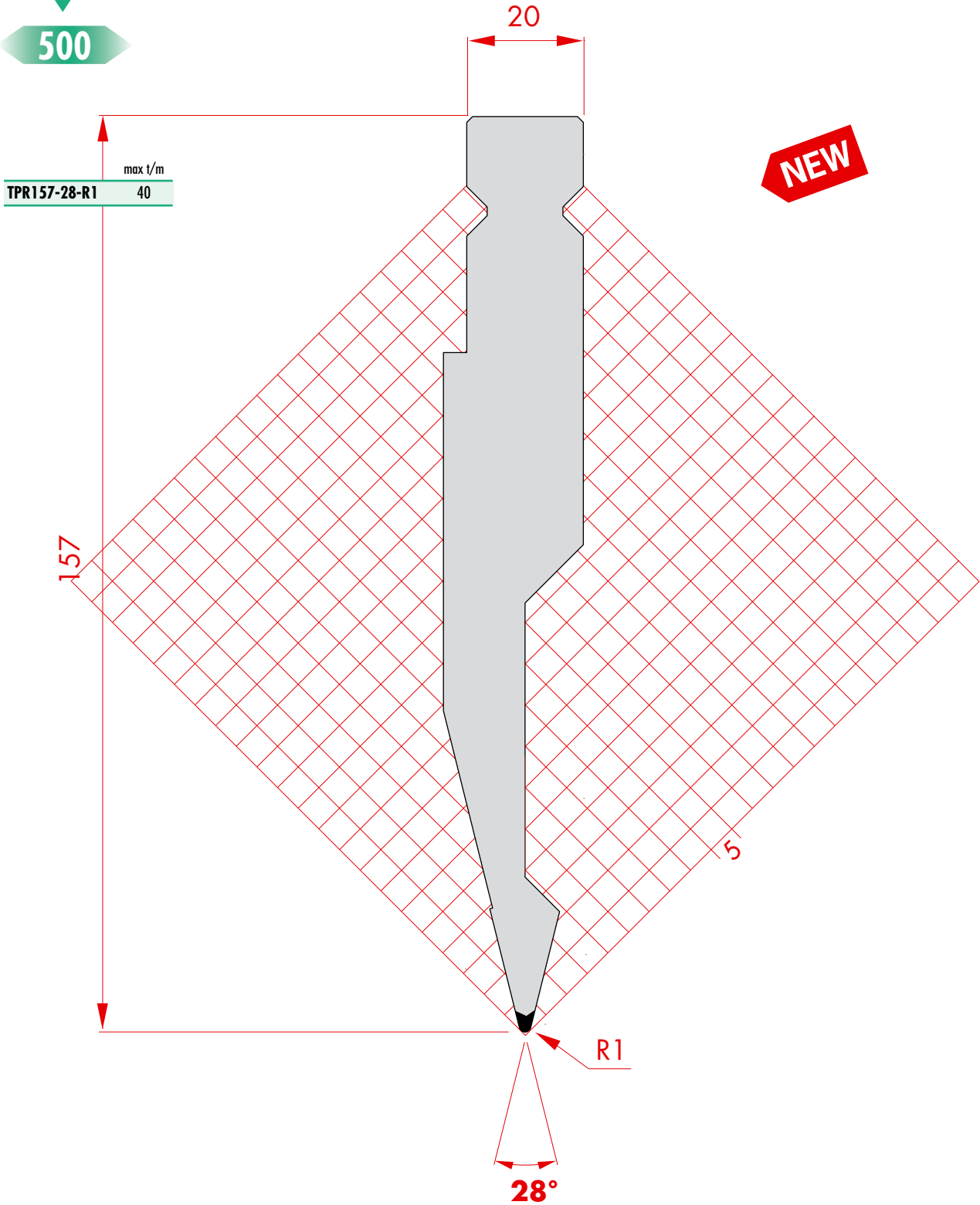
HRC 54-60 (1980->2200 N/mm²)

TPR.157-28-R1

42Cr 900-1150 N/mm²

28°

500



TRUMPF-WILA TYPE

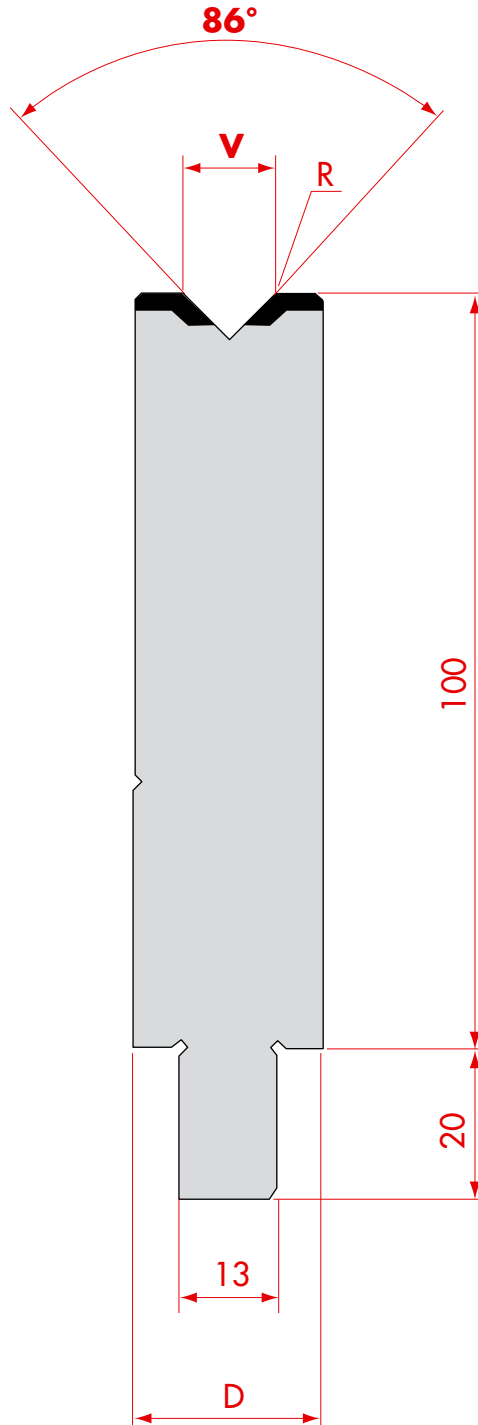
TMR100-06-86 ÷ TMR100-50-86

42Cr 900-1150 N/mm²

86°

500

	V	R	D	max t/m
TMR100-06-86	6	0,6	20	120
TMR100-08-86	8	0,8	20	115
TMR100-10-86	10	1	20	110
TMR100-12-86	12	1	25	120
TMR100-16-86	16	1,6	30	120
TMR100-20-86	20	2	30	115
TMR100-24-86	24	2,5	35	120
TMR100-30-86	30	3	45	120
TMR100-40-86	40	3	55	120
TMR100-50-86	50	3	75	150



TRUMPF-WILA TYPE

TMR100-60-80 ÷ TMR120-100-80

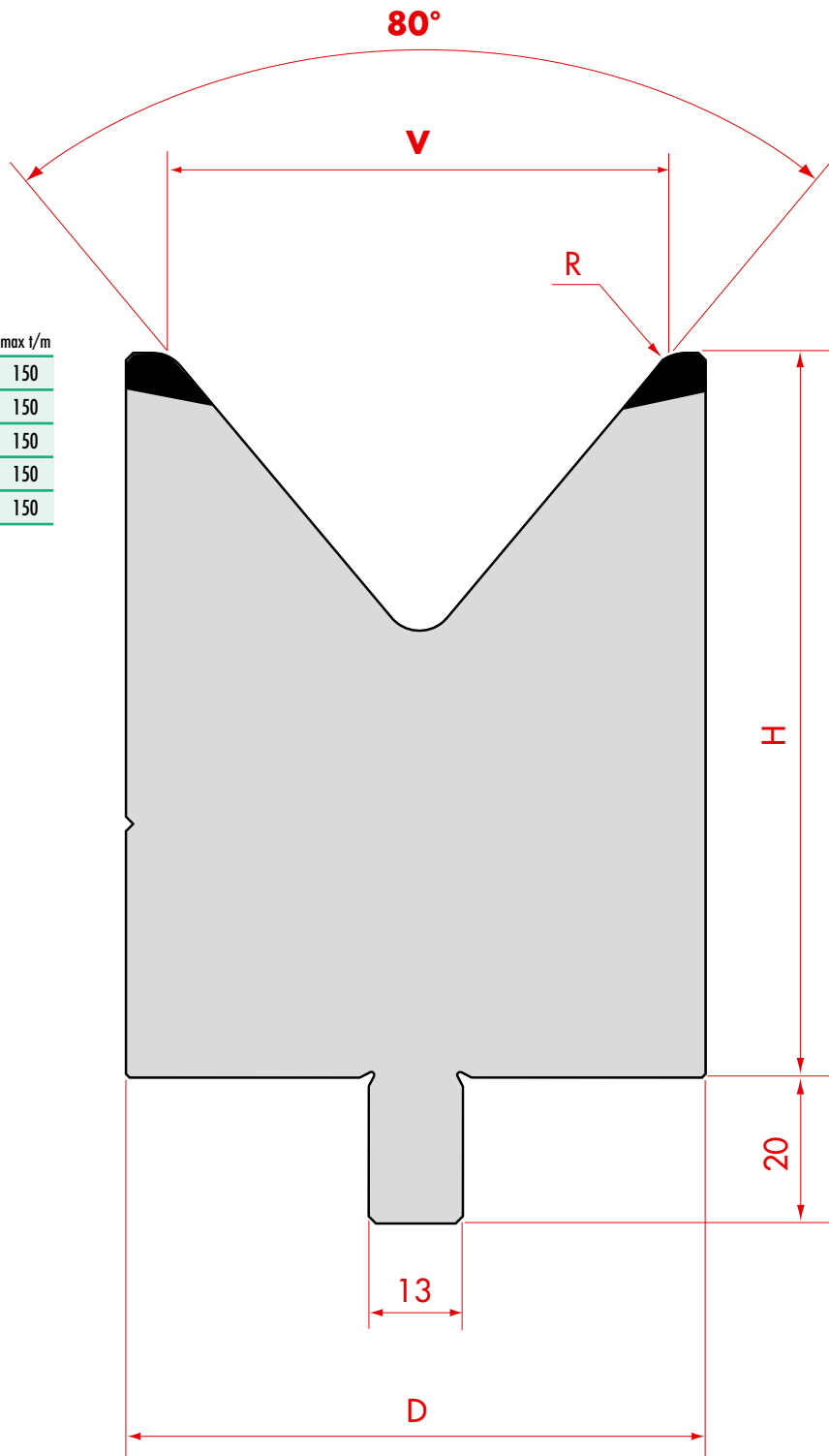
42Cr 900-1150 N/mm²

80°

500

	max t/m
TPR256-60-R4	130

	V	H	R	D	max t/m
TMR100-60-80	60	100	5	75	150
TMR100-70-80	70	100	5	85	150
TMR100-80-80	80	100	5	100	150
TMR120-90-80	90	120	8	110	150
TMR120-100-80	100	120	8	120	150



TRUMPF-WILA TYPE

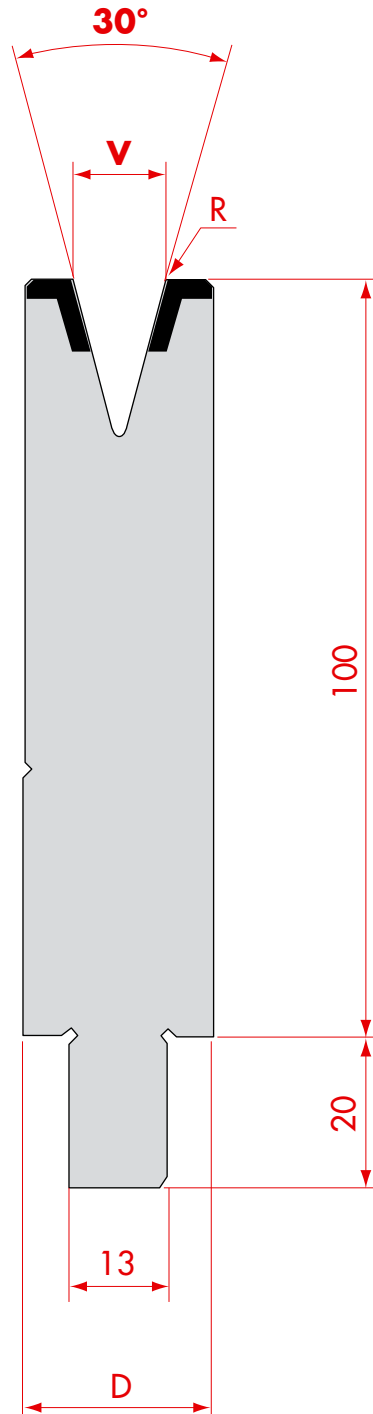
TMR100-06-30 ÷ TMR100-30-30

42Cr 900-1150 N/mm²

30°

500

	V	R	D	max t/m
TMR100-06-30	6	0,6	20	40
TMR100-08-30	8	1	20	40
TMR100-10-30	10	1	20	40
TMR100-12-30	12	1	25	40
TMR100-16-30	16	1,6	30	50
TMR100-20-30	20	2	35	60
TMR100-24-30	24	2,5	40	65
TMR100-30-30	30	3	55	90



TRUMPF-WILA TYPE

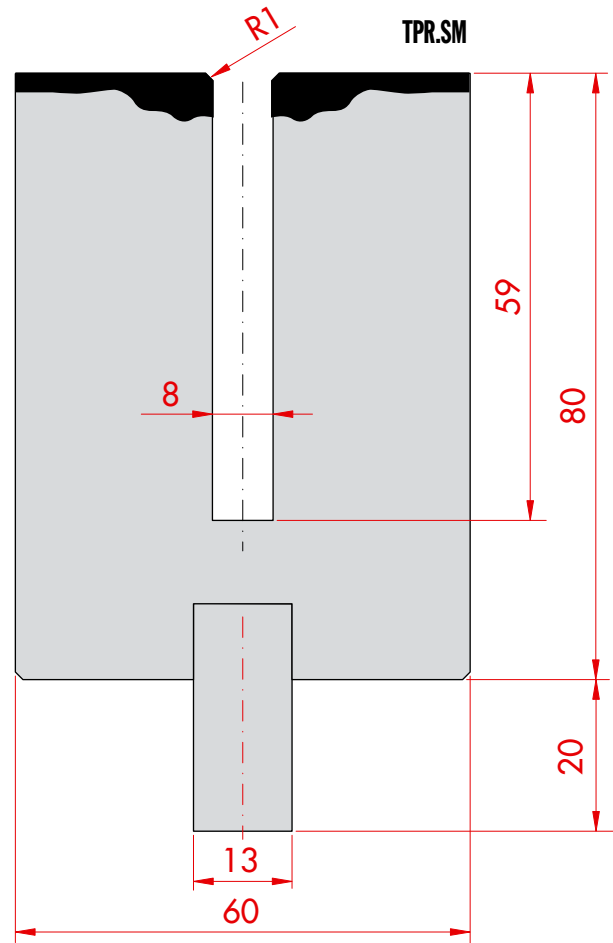
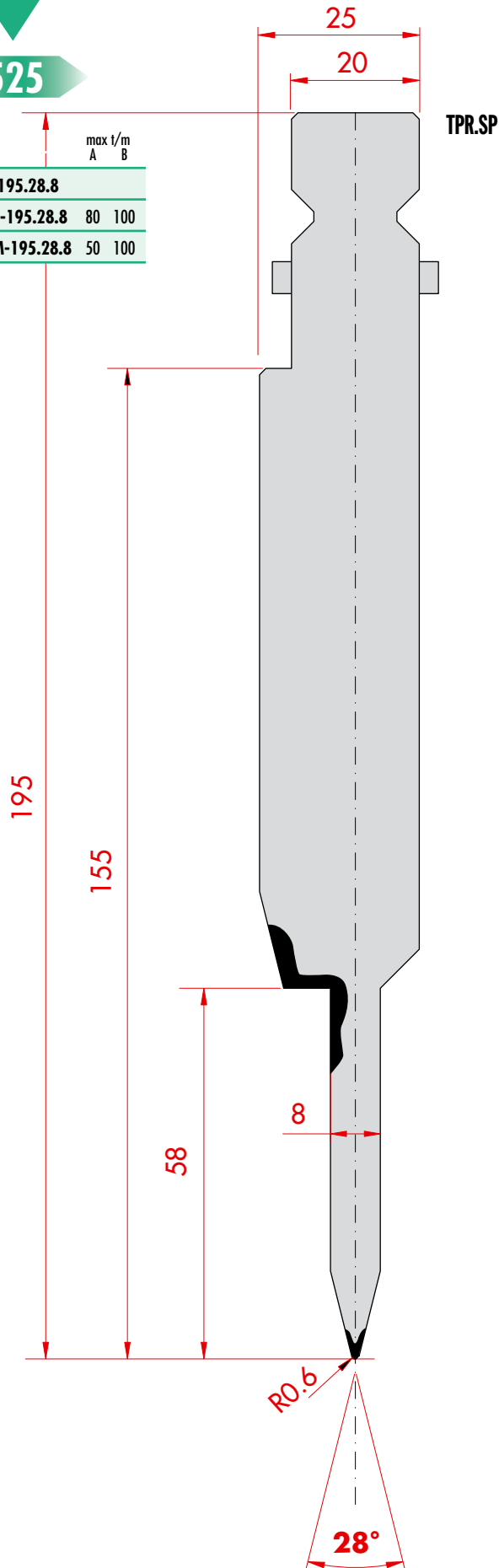
TPR.S (TPR.SP+TPR.SM)

42Cr 900-1150 N/mm²

28°

525

	max t/m	
	A	B
TPR.S-195.28.8		
TPR.SP-195.28.8	80	100
TPR.SM-195.28.8	50	100



TRUMPF-WILA TYPE

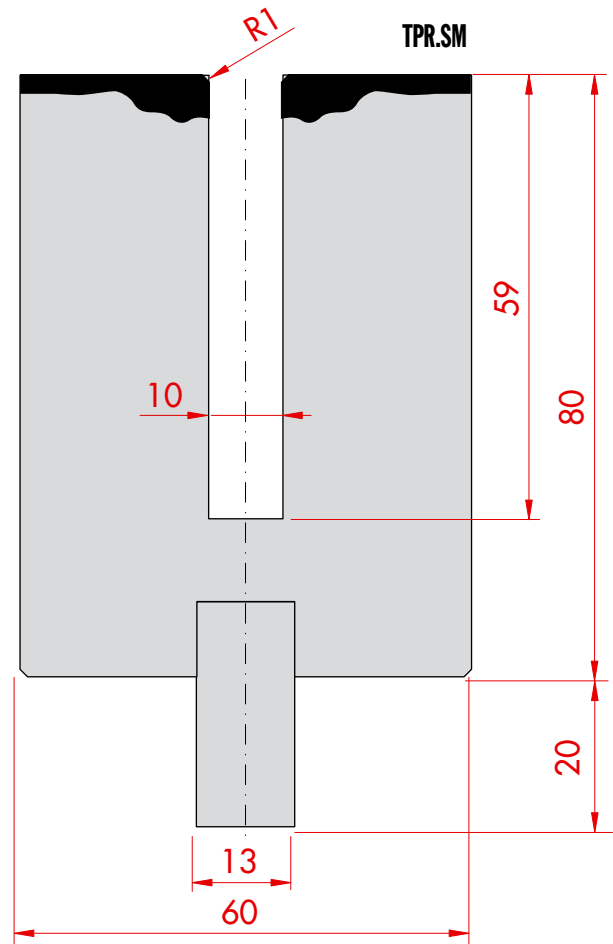
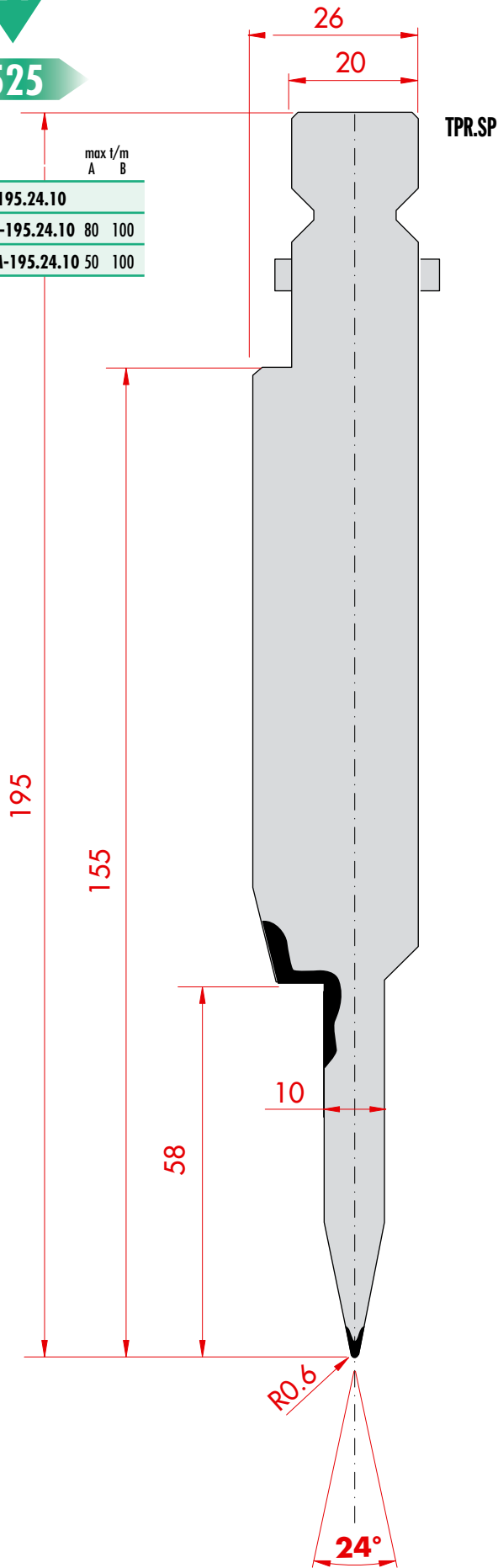
TPR.S (TPR.SP+TPR.SM)

42Cr 900-1150 N/mm²

24°

525

max t/m		
	A	B
TPR.S-195.24.10		
TPR.SP-195.24.10	80	100
TPR.SM-195.24.10	50	100



TRUMPF-WILA TYPE

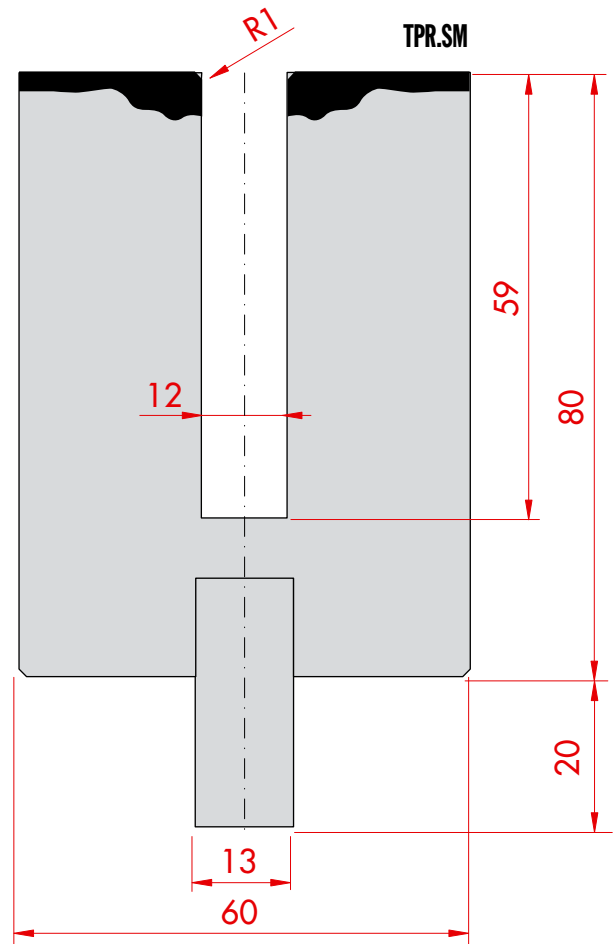
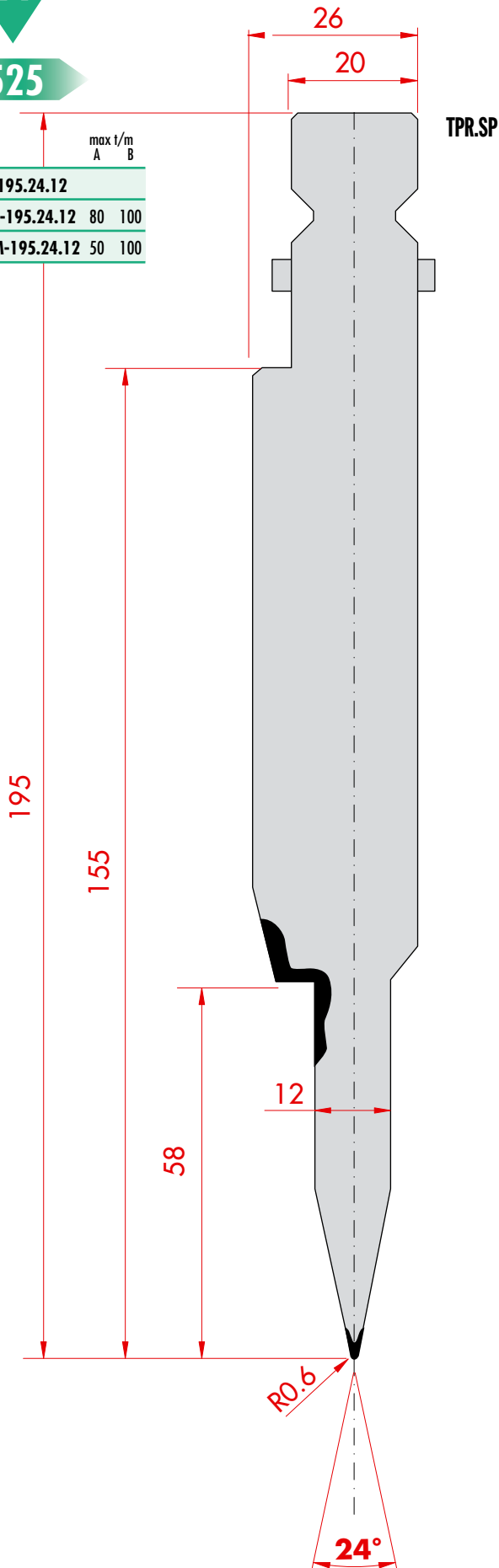
TPR.S (TPR.SP+TPR.SM)

42Cr 900-1150 N/mm²

24°

525

	max t/m	
	A	B
TPR.S-195.24.12		
TPR.SP-195.24.12	80	100
TPR.SM-195.24.12	50	100



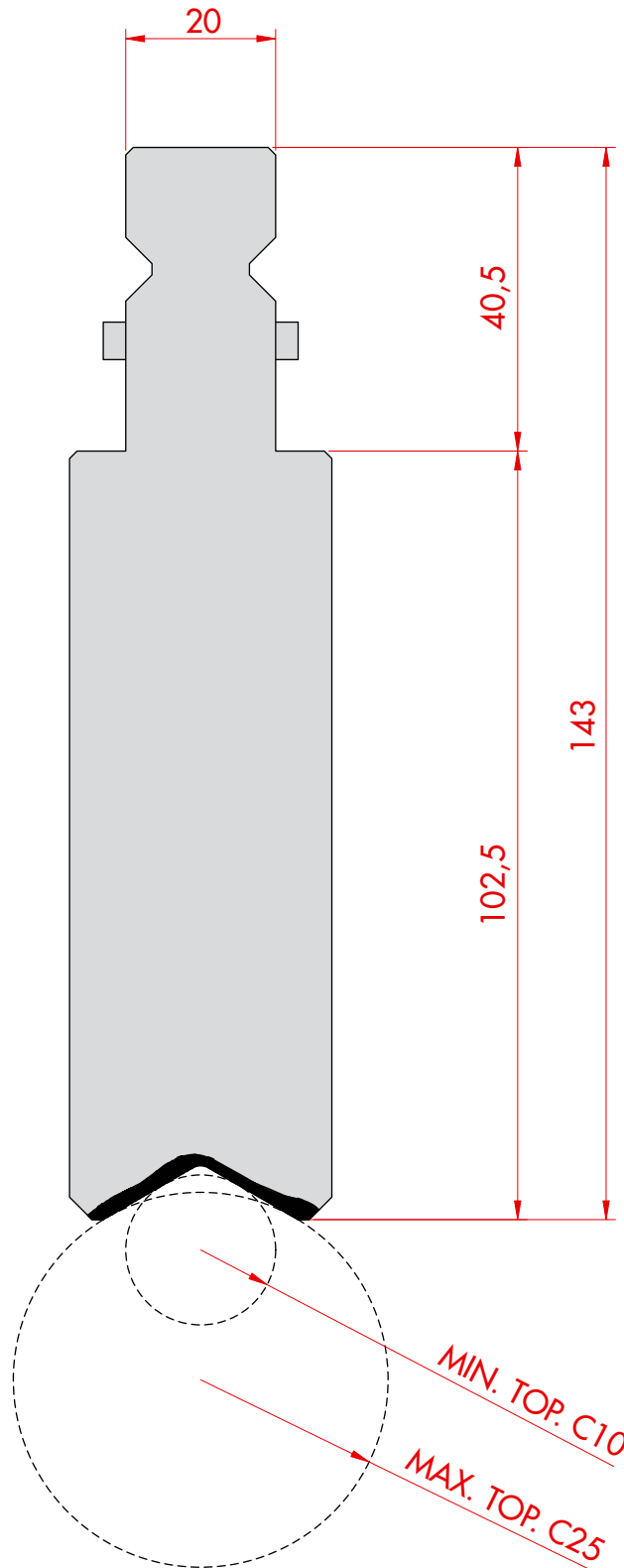
TRUMPF-WILA TYPE

TPR143.10

42Cr 900-1150 N/mm²

522

	max t/m
TPR143.10	100



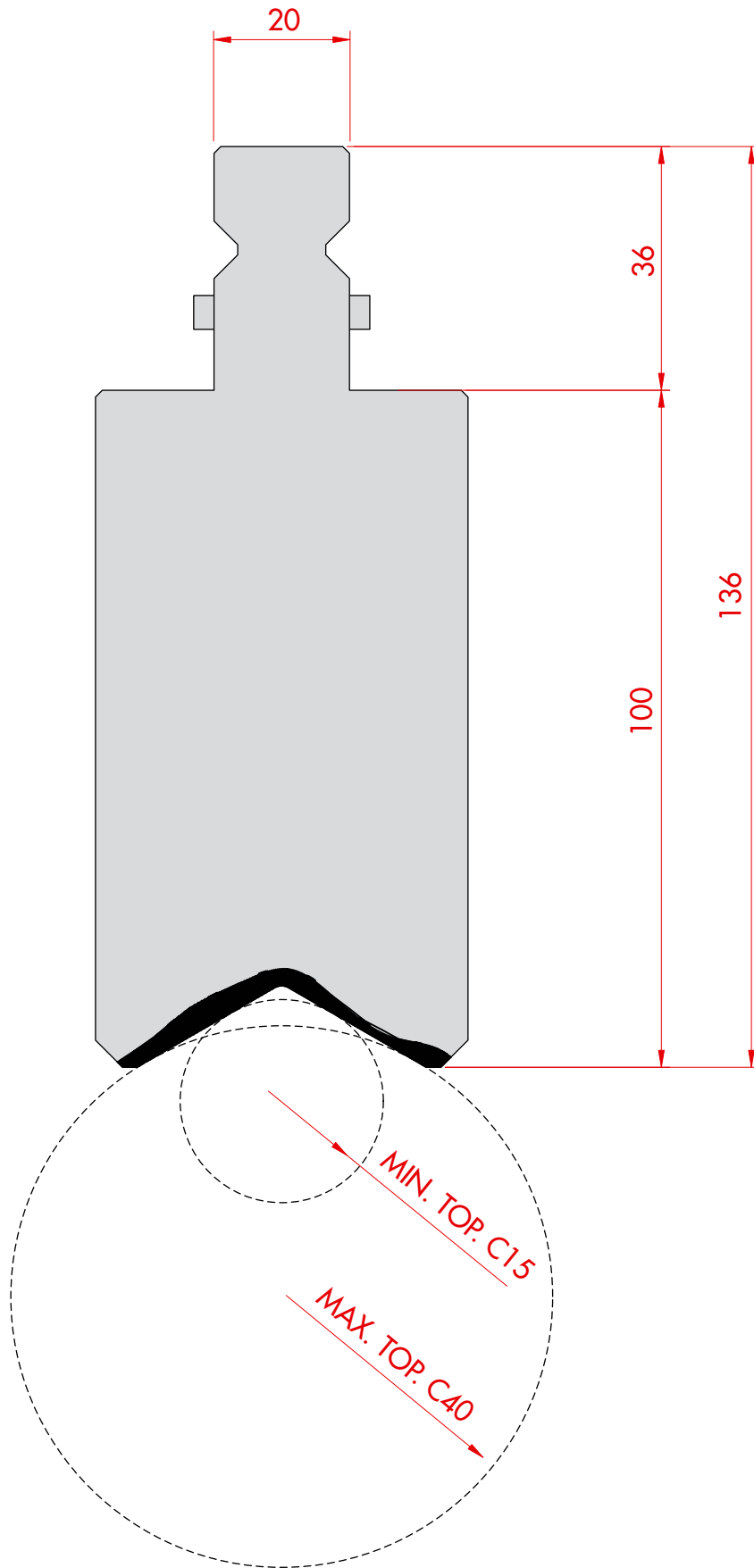
TRUMPF-WILA TYPE

TPR136.15

42Cr 900-1150 N/mm²

522

	max t/m
TPR136.15	100



TRUMPF-WILA TYPE