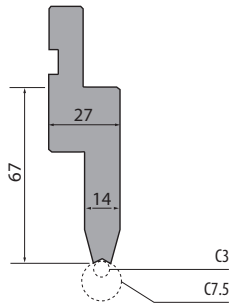


PU.67.14-S

400 kN/m max.



830 mm	€ .-	9.7 kg
410 mm	€ .-	5.0 kg

for Radius tools with R3-R7.5
(C3-C7.5) see below

C45: 560-710 N/mm²



Mark-free bending
with polyurethane
inserts
See pages 240-241

C3 - C7.5

400 kN/m max.



C45: 560-710 N/mm²

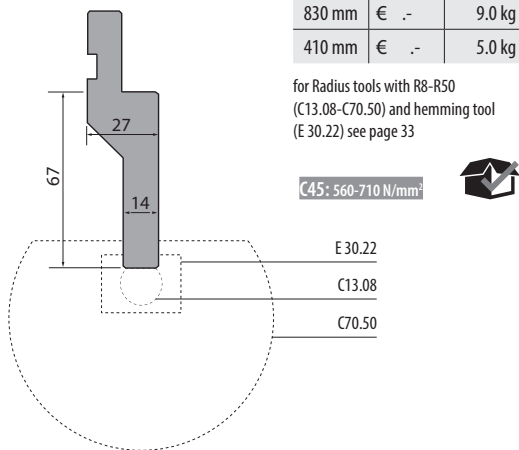


Model	R (mm)	835 mm		415 mm	
		Price	Weight	Price	Weight
C3	3.0	€ .-	0.20 kg	€ .-	0.10 kg
C3.5	3.5	€ .-	0.20 kg	€ .-	0.10 kg
C4	4.0	€ .-	0.35 kg	€ .-	0.17 kg
C4.5	4.5	€ .-	0.50 kg	€ .-	0.25 kg
C5	5.0	€ .-	0.60 kg	€ .-	0.30 kg
C5.5	5.5	€ .-	0.70 kg	€ .-	0.35 kg
C6	6.0	€ .-	0.80 kg	€ .-	0.40 kg
C6.5	6.5	€ .-	1.00 kg	€ .-	0.50 kg
C7	7.0	€ .-	0.80 kg	€ .-	0.40 kg
C7.5	7.5	€ .-	1.00 kg	€ .-	0.50 kg

Distributor: SM TECH SRL <https://www.sm-tech.ro>

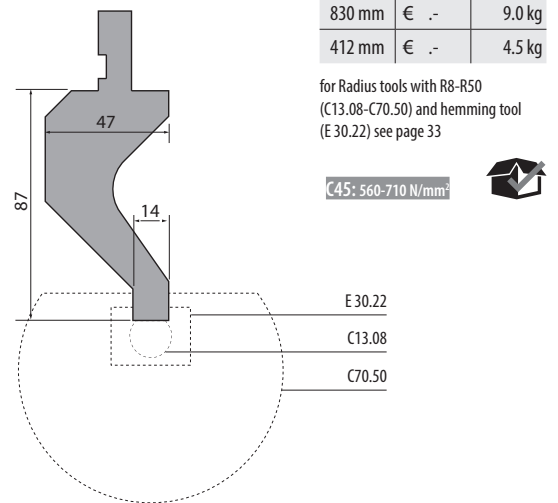
PU.67.14

800 kN/m max.



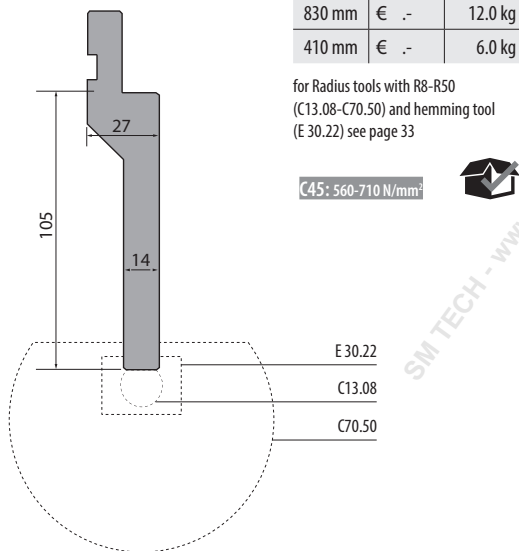
PU.87.14

500 kN/m max.



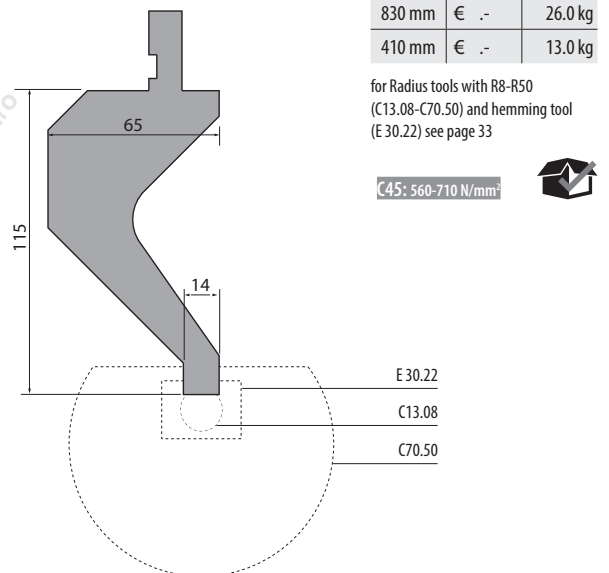
PU.105.14

800 kN/m max.



PU.115.14

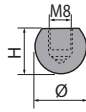
500 kN/m max.



Articles on stock – Please note that delivery time varies according to your location.

Radius Tools: Ø 16-20

800 kN/m max.

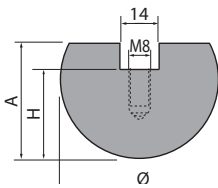


C45: 560-710 N/mm²

Model	Ø (mm)	H (mm)	835 mm	Price	Weight	415 mm	Price	Weight
C13.08	16	13		€ .-	2.00 kg		€ .-	1.00 kg
C13.09	18	16	€ .-	2.00 kg	€ .-	1.00 kg		
C16.10	20	16	€ .-	2.00 kg	€ .-	1.00 kg		

Radius Tools: Ø 25-100

800 kN/m max.



NEW

SM TECH - www.smt-h.com



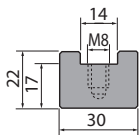
C45: 560-710 N/mm²

Model	Ø (mm)	H (mm)	A (mm)	835 mm	Price	Weight	415 mm	Price	Weight
C17.12	25	17	22		€ .-	2.5 kg		€ .-	1.2 kg
C20.15	30	20	27	€ .-	3.7 kg	€ .-	1.8 kg		
C22.17	35	22	32	€ .-	5.0 kg	€ .-	2.4 kg		
C24.20	40	24	34	€ .-	7.0 kg	€ .-	3.5 kg		
C25.22	45	25	35	€ .-	7.5 kg	€ .-	3.8 kg		
C29.25	50	29	39	€ .-	10.0 kg	€ .-	4.7 kg		
C34.27	55	34	44	€ .-	12.4 kg	€ .-	6.2 kg		
C34.30	60	34	44	€ .-	13.5 kg	€ .-	6.7 kg		
C37.32	65	37	47	€ .-	15.9 kg	€ .-	7.9 kg		
C45.35	70	45	55	€ .-	20.3 kg	€ .-	10.0 kg		
C42.37	75	42	52	€ .-	20.5 kg	€ .-	10.3 kg		
C45.40	80	45	55	€ .-	23.0 kg	€ .-	11.5 kg		
C60.45	90	60	70	€ .-	34.0 kg	€ .-	17.0 kg		
C70.50	100	70	80	€ .-	43.5 kg	€ .-	21.7 kg		

Hemming Tool

E30.22

800 kN/m max.



835 mm	€ .-	3.5 kg
415 mm	€ .-	1.7 kg

C45: 560-710 N/mm²



Article on stock



Please ask for delivery time!

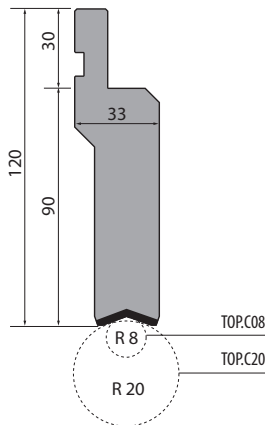
1 kg = 2.20 Pounds (lb) = 35.27 Ounces (oz)
100 mm = 3.94 Inch (in) = 0.33 Feet (ft)



Articles on stock – Please note that delivery time depends on your location.

TOP.PC.120-08

1000 kN/m max.



522 mm	€ -	11.0 kg
495 mm segmented	€ -	12.0 kg

for Radius tools with R8-R20
(TOP.C08-TOP.C20) see below

42Cr: 900-1150 N/mm²

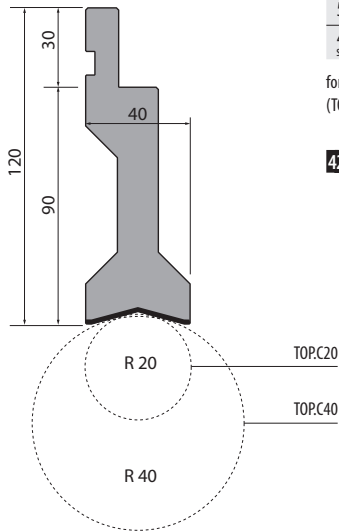


Rolleri radius tools are on stock in sectioned version too!
Take advantage of our tool availability!



TOP.PC.120-20

1000 kN/m max.



522 mm	€ -	10.5 kg
495 mm segmented	€ -	10.0 kg

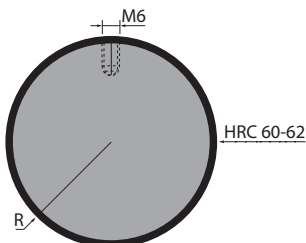
for Radius tools with R20-R40
(TOP.C20-TOP.C40) see below

42Cr: 900-1150 N/mm²



TOP-Radius Tools: R8-40

1000 kN/m max.



NEW

Material: C53
induction hardened
60-62 HRC

C53: 610-760 N/mm²



Model	R (mm)	525 mm		495 mm segmented	
		Price	Weight	Price	Weight
TOP.C08	8	€ -	0.8 kg	€ -	1.9 kg
TOP.C10	10	€ -	1.3 kg	€ -	2.7 kg
TOP.C12.5	12.5	€ -	2.0 kg	€ -	2.8 kg
TOP.C15	15	€ -	3.0 kg	€ -	3.8 kg
TOP.C17.5	17.5	€ -	4.0 kg	€ -	4.7 kg
TOP.C20	20	€ -	5.2 kg	€ -	6.6 kg
TOP.C22.5	22.5	€ -	6.6 kg	€ -	6.6 kg
TOP.C25	25	€ -	8.1 kg	€ -	7.5 kg
TOP.C27.5	27.5	€ -	9.8 kg	€ -	9.2 kg
TOP.C30	30	€ -	11.7 kg	€ -	11.3 kg
TOP.C32.5	32.5	€ -	13.7 kg	€ -	12.9 kg
TOP.C35	35	€ -	16.0 kg	€ -	15.1 kg
TOP.C37.5	37.5	€ -	18.2 kg	€ -	17.2 kg
TOP.C40	40	€ -	20.7 kg	€ -	19.5 kg