



Scule tip Multitool pentru mașini de ștanțat CNC TRUMPF®

Distribuitor : SM TECH <https://www.sm-tech.ro>

## MULTI-TOOLS



Your punch press has a limited number of stations, but that doesn't mean you need to buy a new machine or stop production to change out tooling. Multi-tools increase the tool capacity of your punch press by adding 4, 5, 6 or 10 additional tools in a single station. That means you can expand the tool capacity of your machine and reduce downtime due to additional tooling changes.

These are available for Group I, Group H, and Trumatic 240R/260R machines.

### Cuprins:

**Masini Trumpf Grupa I (1000R, 2000R, 3000R, 5000R, 6000L etc):**

**Multitool 5 statii ..... Pag. 1**

**Multitool 10 statii.....Pag. 3**

**Masini Trumpf Grupa H (TC 200R, TC 500R etc)**

**Multitool 4 statii ... Pag. 5**

**Multitool 6 statii....Pag. 7**



Upper Unit Assembly



Punch



Die



Stripper



Lower Unit Assembly



Lower Unit Assembly with Brushes

## FOR GROUP I MACHINES

### UPPER UNIT ASSEMBLY

DESCRIPTION	CAT. NO.	PRICE
Upper Unit Assembly	25957	

### PUNCH

DESCRIPTION	CAT. NO.	PRICE	OPTIMA®
Round	25735		Standard
Square	25869		
Rectangle	25870		
Standard Shape	25736		

### DIE

DESCRIPTION	CAT. NO.	PRICE
Round	25737	
Square	25871	
Rectangle	25872	
Standard Shape	25738	

### STRIPPER

DESCRIPTION	CAT. NO.	PRICE
Standard with 17 mm holes	25959	
Fitted (for thin material)	25960	

### COATED STRIPPER

DESCRIPTION	CAT. NO.	PRICE
Round	26855	
Shape	26854	

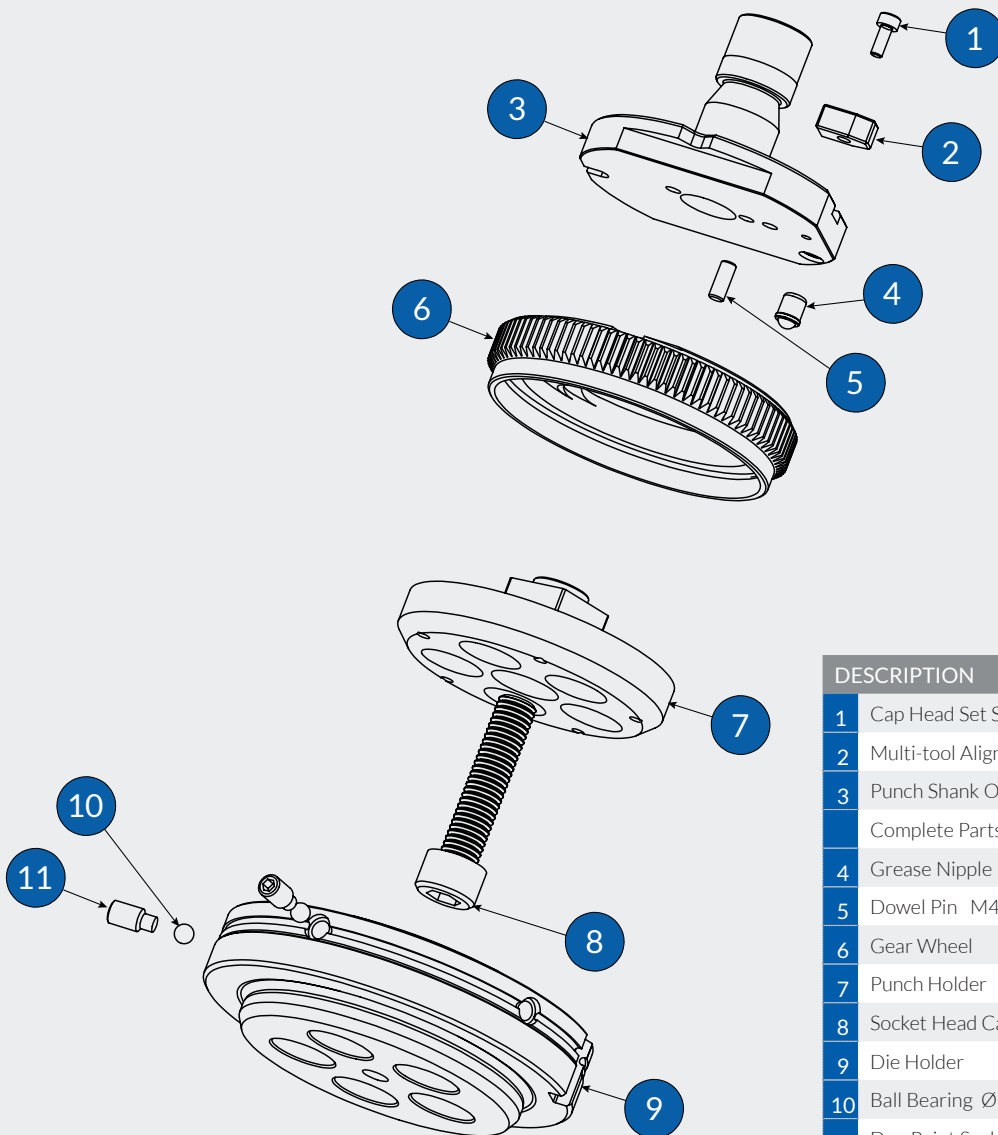
### DIE SHIM

DESCRIPTION	CAT. NO.	PRICE
Die Shim Pack	26003	

### LOWER UNIT ASSEMBLY

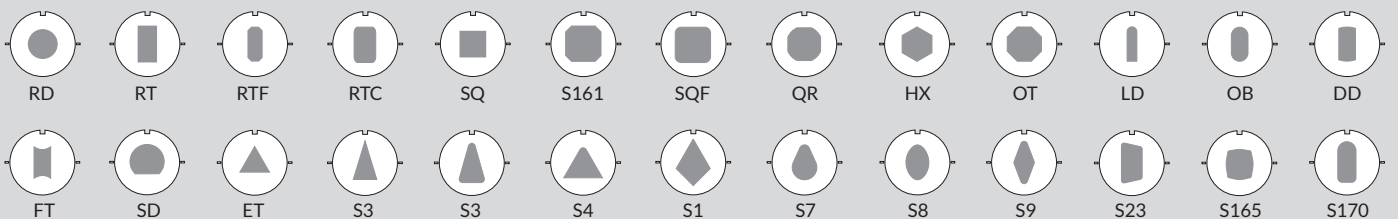
DESCRIPTION	CAT. NO.	PRICE
Standard	25958	
With Brushes	26026	

MAX. MATERIAL THICKNESS	MAX 'A' DIMENSION	NOTES
Mild steel & Aluminum 4.5 mm Stainless steel 3.0 mm	16 mm	All punches and dies will be made for position 1, angle 90° unless stated otherwise. Round punches Optima® coated as standard. Coated Strippers only available for Groups H & I. Brush Unit Assembly includes 1 x 10 mm and 4 x 15 mm brush inserts.



DESCRIPTION	CAT. NO.
1 Cap Head Set Screw M3 x 8 mm	25901
2 Multi-tool Alignment Key	25902
3 Punch Shank Only	25961
Complete Parts Kit	25964
4 Grease Nipple	25906
5 Dowel Pin M4 x 10 mm	24097
6 Gear Wheel	25963
7 Punch Holder	25962
8 Socket Head Cap Screw M10 x 35 mm	24251
9 Die Holder	25965
10 Ball Bearing Ø 5 mm	24213
11 Dog Point Socket Set Screw M6 x 10 mm	25213
10 mm Brush Inserts	25924
15 mm Brush Inserts	25925
10 mm Brush Insert Pack [1 x 0.1 mm, 1 x 0.3 mm]	25927
15 mm Brush Insert Pack [1 x 0.1 mm, 1 x 0.3 mm]	25928

26 STANDARD SHAPES







Upper Unit Assembly



Punch



Die



Stripper



Lower Unit Assembly



Lower Unit Assembly with Brushes

## FOR GROUP I MACHINES

### UPPER UNIT ASSEMBLY

DESCRIPTION	CAT. NO.	PRICE
Upper Unit Assembly	25967	

### PUNCH

DESCRIPTION	CAT. NO.	PRICE	OPTIMA®
Round	25809		Standard
Square	25873		
Rectangle	25874		
Standard Shape	25810		

### DIE

DESCRIPTION	CAT. NO.	PRICE
Round	25996	
Square	25997	
Rectangle	25997	
Standard Shape	25997	

### STRIPPER

DESCRIPTION	CAT. NO.	PRICE
Standard with 11.5 mm holes	25969	
Fitted (for thin material)	25970	

### COATED STRIPPER

DESCRIPTION	CAT. NO.	PRICE
Round	26855	
Shape	26854	

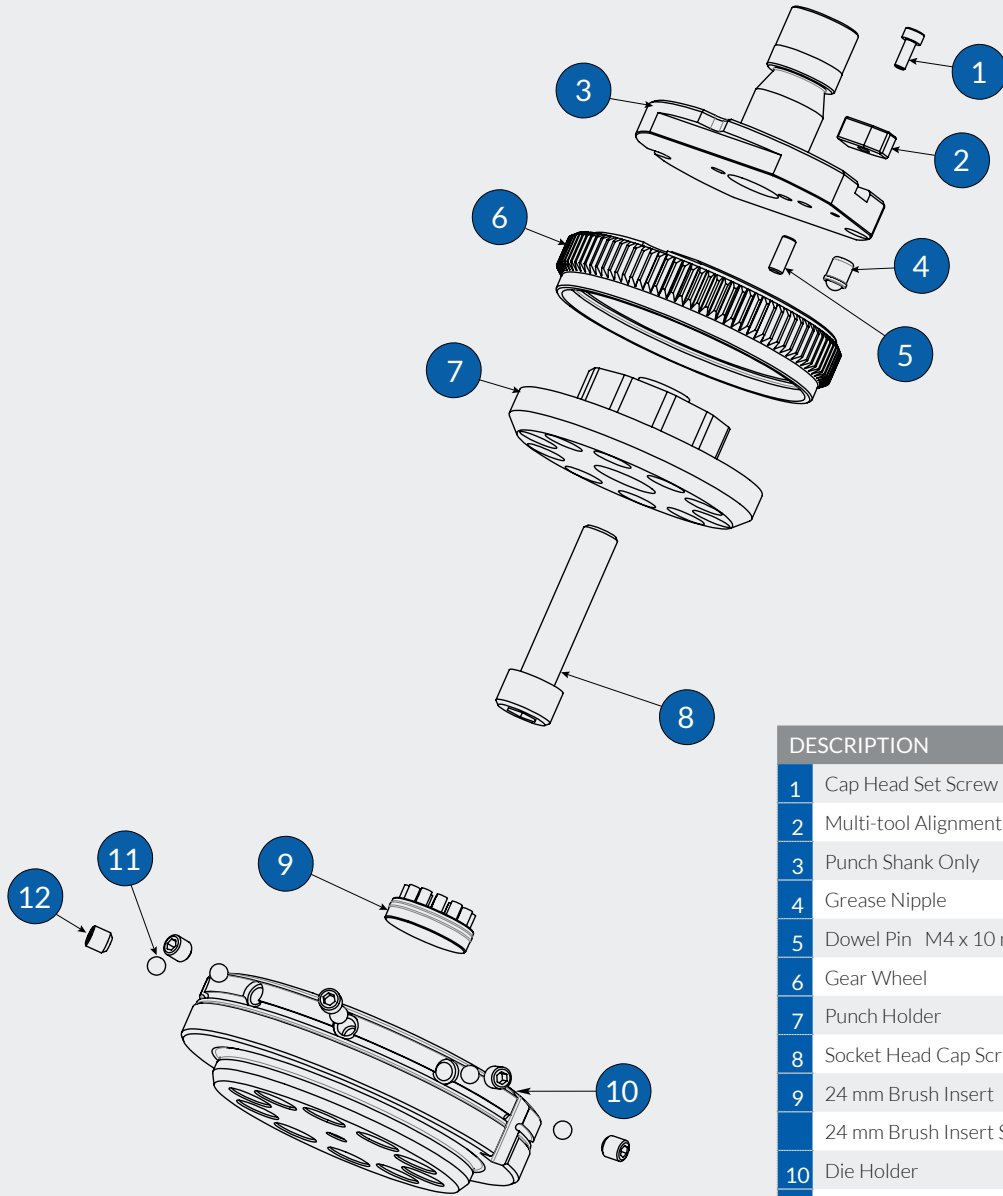
### DIE SHIM

DESCRIPTION	CAT. NO.	PRICE
Die Shim Pack	25995	

### LOWER UNIT ASSEMBLY

DESCRIPTION	CAT. NO.	PRICE
Standard	25985	
With Brushes	26027	

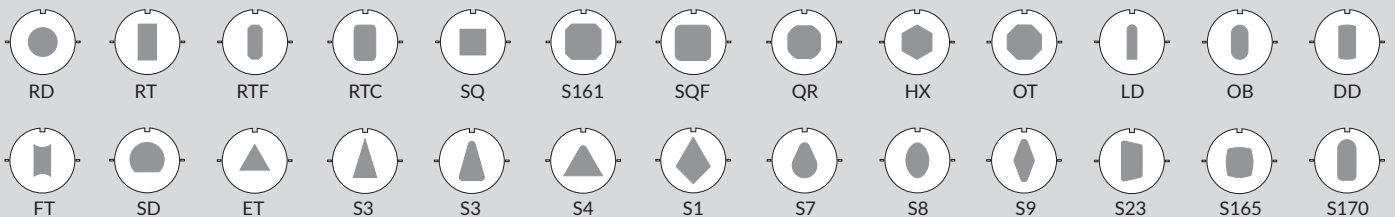
MAX. MATERIAL THICKNESS		MAX 'A' DIMENSION	NOTES
Mild steel & Aluminum	4.5 mm	10.5 mm	All punches and dies will be made for position 1, angle 90° unless stated otherwise. Round punches Optima® coated as standard. Coated Strippers only available for Groups H & I. Brush Unit Assembly includes 1 x 24 mm and 10 x 10 mm brush inserts.
Stainless steel	3.0 mm		



DESCRIPTION	CAT. NO.
1 Cap Head Set Screw M3 x 8 mm	25901
2 Multi-tool Alignment Key	25902
3 Punch Shank Only	25961
4 Grease Nipple	25906
5 Dowel Pin M4 x 10 mm	24097
6 Gear Wheel	25972
7 Punch Holder	25971
8 Socket Head Cap Screw M10 x 35 mm	24251
9 24 mm Brush Insert	25926
24 mm Brush Insert Shim Pack	25929
10 Die Holder	25994
11 Ball Bearing Ø 5 mm	24213
12 Flat Point Socket Set Screw M6 x 6 mm	970371
10 mm Brush Inserts	25924
10 mm Brush Insert Pack [1 x 0.1 mm, 1 x 0.3 mm]	25927

Complete Parts Kits, Cat. No. 25973  
1, 2, 4, 5, 8

26 STANDARD SHAPES



## FOR TRUMATIC 240R/260R/200/500/600 MACHINES

MULTI-TOOL



Upper Unit Assembly



Punch



Die



Lower Unit Assembly



Lower Unit Assembly with Brushes

### COMPLETE UPPER AND LOWER ASSEMBLY

DESCRIPTION	CAT. NO.	PRICE
Trumatic 240R/260R	25888	
Trumatic 200/500/600	25886	

### UPPER UNIT ASSEMBLY

DESCRIPTION	CAT. NO.	PRICE
Trumatic 240R/260R	25891	
Trumatic 200/500/600	25884	

### PUNCH

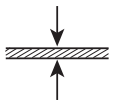
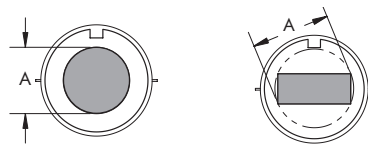
DESCRIPTION	CAT. NO.	PRICE	OPTIMA®
Round	25151		Standard
Square	25529		
Rectangle	25530		
Standard Shape	25152		

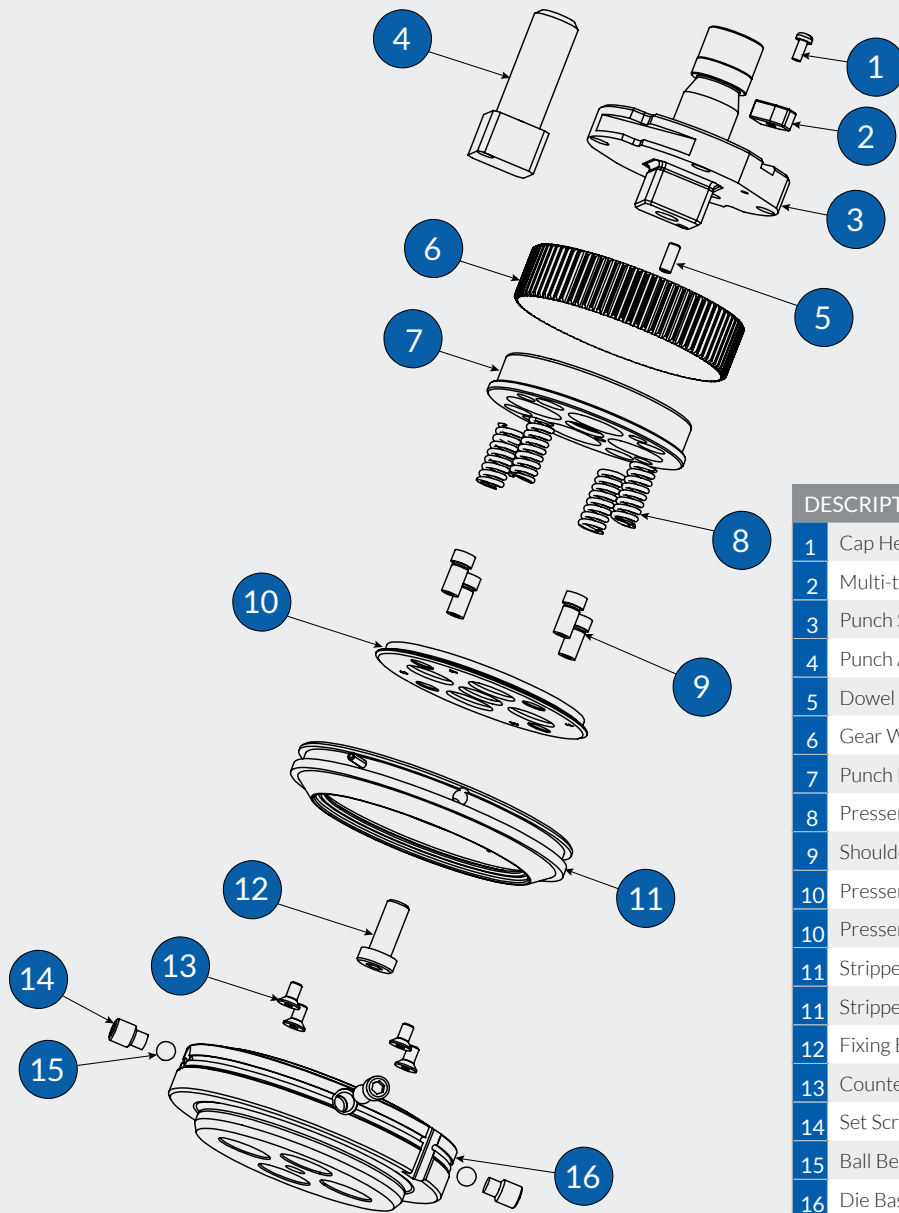
### DIE

DESCRIPTION	CAT. NO.	PRICE
Round	25153	
Square	25531	
Rectangle	25532	
Standard Shape	25154	

### LOWER UNIT ASSEMBLY

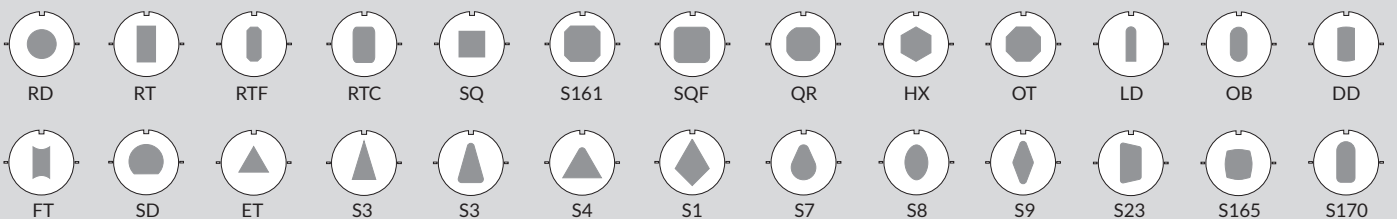
DESCRIPTION	CAT. NO.	PRICE
Standard	25866	
With Brushes	25930	

MAX. MATERIAL THICKNESS	MAX 'A' DIMENSION	NOTES
Mild steel & Aluminum 3.2 mm Stainless steel 2.0 mm 	16 mm 	All punches and dies will be made for position 1, angle 90° unless stated otherwise. Round punches Optima® coated as standard. Complete Upper and Lower Assembly includes alignment tool. Brush Unit Assembly includes 1 x 10 mm and 4 x 15 mm brush inserts.



DESCRIPTION	CAT. NO.
1 Cap Head Set Screw M3 x 8 mm	25901
2 Multi-tool Alignment Key	25902
3 Punch Shank Only	25867
4 Punch Alignment Aid	25893
5 Dowel Pin M4 x 10 mm	24097
6 Gear Wheel	25878
7 Punch Locating Ring	25868
8 Presser Foot Spring	25904
9 Shoulder Screw	25875
10 Presser Foot Group F	25897
10 Presser Foot Group H	25880
11 Stripper Group F	25895
11 Stripper Group H	25881
12 Fixing Bolt M8 x 20 mm	25876
13 Countersink Screw M4 x 8 mm	25903
14 Set Screw M8 x 12 mm	970398
15 Ball Bearing Ø 6.5 mm	25387
16 Die Base Adaptor	25910
10 mm Brush Inserts	25924
15 mm Brush Inserts	25925
10 mm Brush Insert Pack [1 x 0.1 mm, 1 x 0.3 mm]	25927
15 mm Brush Insert Pack [1 x 0.1 mm, 1 x 0.3 mm]	25928

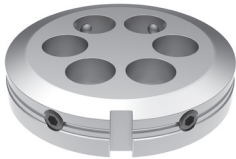
26 STANDARD SHAPES





## FOR TRUMATIC 240R/260R/200/500/600 MACHINES

MULTI-TOOL



### COMPLETE UPPER AND LOWER ASSEMBLY

DESCRIPTION	CAT. NO.	PRICE
Trumatic 240R/260R	25889	
Trumatic 200/500/600	25887	

### UPPER UNIT ASSEMBLY

DESCRIPTION	CAT. NO.	PRICE
Trumatic 240R/260R	25892	
Trumatic 200/500/600	25885	

### PUNCH

DESCRIPTION	CAT. NO.	PRICE	OPTIMA®
Round	25147		Standard
Square	25533		
Rectangle	25534		
Standard Shape	25148		

### DIE

DESCRIPTION	CAT. NO.	PRICE
Round	25149	
Square	25535	
Rectangle	25536	
Standard Shape	25150	

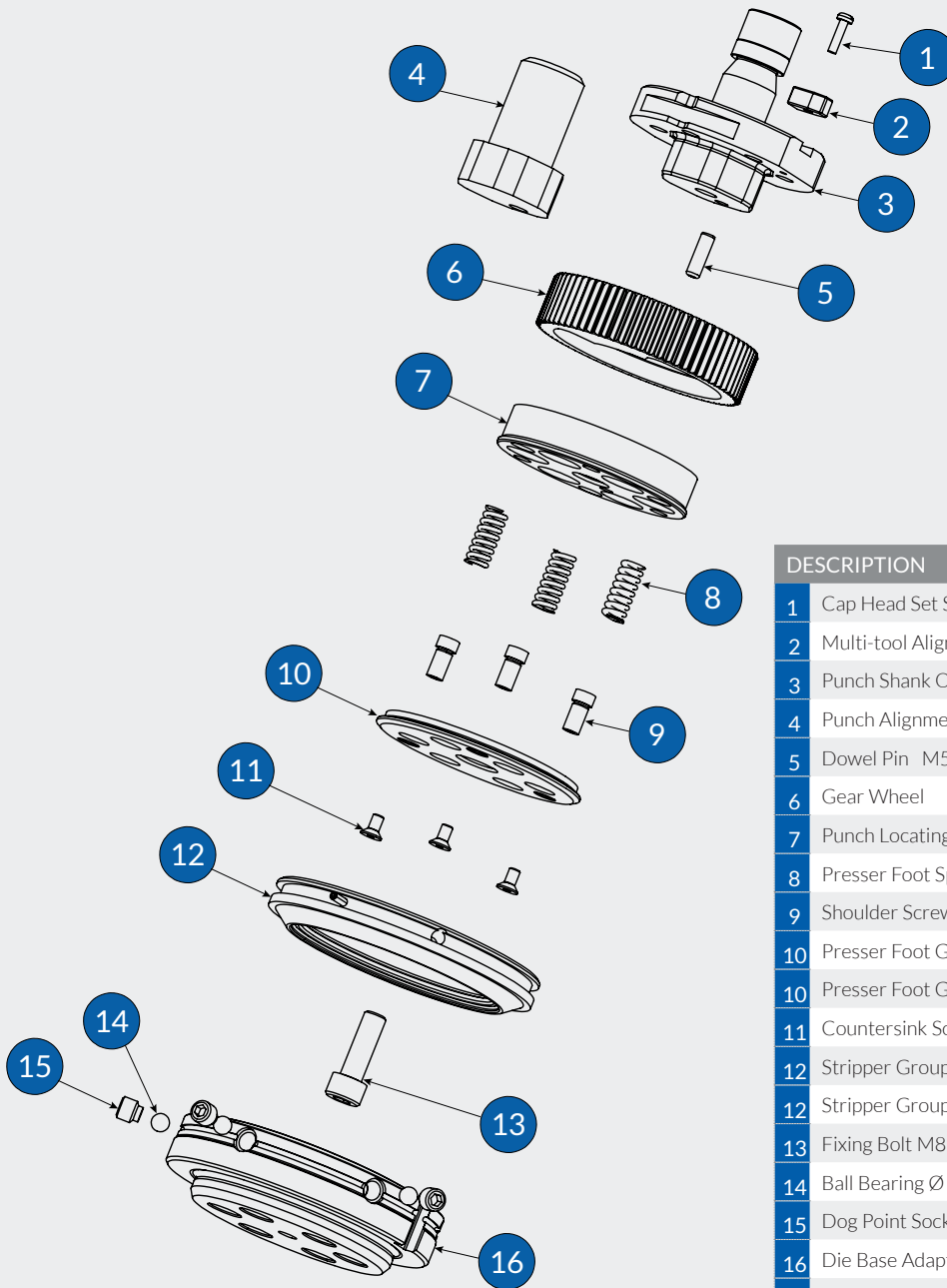
### DIE SHIM

DESCRIPTION	CAT. NO.	PRICE
Shim Pack	25388	

### LOWER UNIT ASSEMBLY

DESCRIPTION	CAT. NO.	PRICE
Standard	25863	
With Brushes	25931	

MAX. MATERIAL THICKNESS		MAX 'A' DIMENSION	NOTES
Mild steel & Aluminum	3.2 mm	10.5 mm	<p>All punches and dies will be made for position 1, angle 90° unless stated otherwise.</p> <p>Round punches Optima® coated as standard.</p> <p>Complete Upper and Lower Assembly includes alignment tool.</p> <p>Brush Unit Assembly includes 1 x 10 mm and 4 x 15 mm brush inserts.</p>
Stainless steel	2.0 mm		



DESCRIPTION	CAT. NO.
1 Cap Head Set Screw M3 x 8 mm	25901
2 Multi-tool Alignment Key	25902
3 Punch Shank Only	25864
4 Punch Alignment Aid	25894
5 Dowel Pin M5 x 14 mm	25909
6 Gear Wheel	25877
7 Punch Locating Ring	25865
8 Presser Foot Spring	25905
9 Shoulder Screw	25875
10 Presser Foot Group F	25896
10 Presser Foot Group H	25879
11 Countersink Screw M4 x 8 mm	25903
12 Stripper Group F	25895
12 Stripper Group H	25881
13 Fixing Bolt M8 x 20 mm	25876
14 Ball Bearing Ø 6.5 mm	25387
15 Dog Point Socket Set Screw M8 x 8 mm	25900
16 Die Base Adaptor	25911
10 mm Brush Inserts	25924
15 mm Brush Inserts	25925
10 mm Brush Insert Pack [1 x 0.1 mm, 1 x 0.3 mm]	25927
15 mm Brush Insert Pack [1 x 0.1 mm, 1 x 0.3 mm]	25928

26 STANDARD SHAPES

