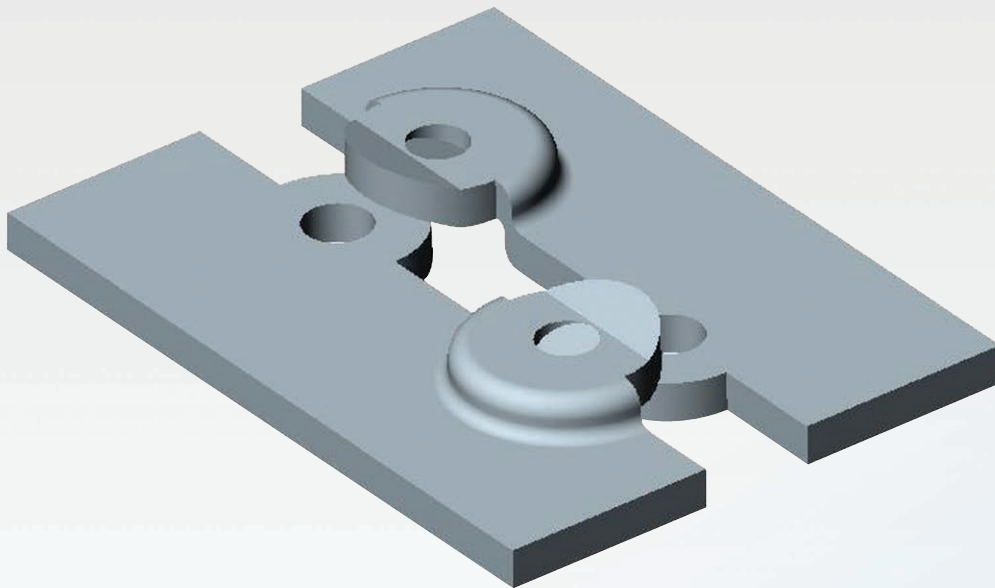


ZIP TECH

Strong, Clean, Fast Connections...



...With No Welding Or Grinding

Reduced costs

Eliminate welding, spot welding or other expensive fastening methods. Your components can now be assembled by anyone.

Strong

This tool produces an incredibly strong, virtually unbreakable, joint even in dissimilar and coated materials.

Clean

No need for any grinding or finishing processes and the corrosion resistant properties of your material are not degraded in any way.

Fast

Parts just push together. It couldn't be easier.

