

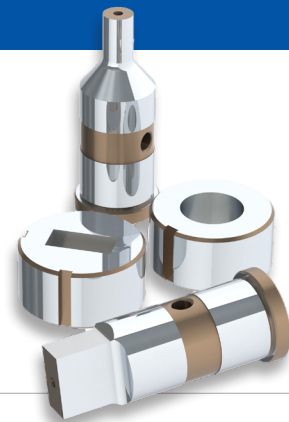
Scule pentru multitool-urile REVO TOOL de la masinile BOSCHERT CNC

## Boschert Revo Tool

REVO Tool punches and dies are 100% compatible with the Boschert OEM holders.  
Made from High Grade HSS for long life between re-grinds.

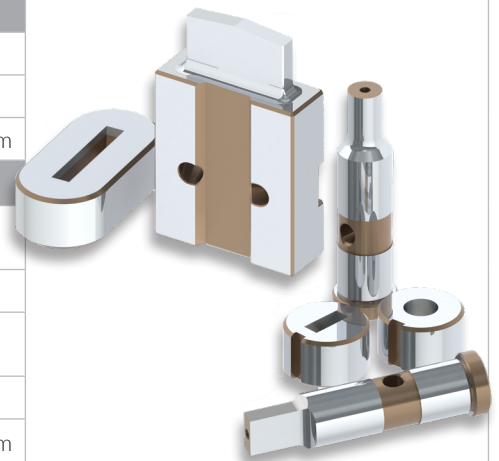
### BOSCHERT 4 STATION REVO TOOL

CAT. NO.	DESCRIPTION	MAX 'A' DIMENSION
<b>PUNCH</b>		
24215	Boschert Long Revotool 4 Station Round Punch	25 mm
24218	Boschert Long Revotool 4 Station Shape Punch	25 mm
<b>DIE</b>		
24216	Boschert Revotool 4 Station Round Die	25 mm
24219	Boschert Revotool 4 Station Shape Die	25 mm
24220	Boschert Revotool 4 Station Shape Die Slug Hugger	25 mm
24217	Boschert Revotool 4 Station Round Die Slug Hugger	25 mm



### BOSCHERT 7/8 STATION REVO TOOL

CAT. NO.	DESCRIPTION	MAX 'A' DIMENSION
<b>PUNCH</b>		
24227	Boschert Long Revotool 7/8 Station Round Punch	16 mm
24230	Boschert Long Revotool 7/8 Station Shape Punch	16 mm
24490	Boschert Long Revotool 7 Station Slitting Punch	30 mm x 5 mm
<b>DIE</b>		
24229	Boschert Revotool 7/8 Station Round Die Slug Hugger	16 mm
24231	Boschert Revotool 7/8 Station Shaped Die	16 mm
24232	Boschert Revotool 7/8 Station Shape Die Slug Hugger	16 mm
24228	Boschert Revotool 7/8 Station Round Die	16 mm
24491	Boschert Revotool 7 Station Slitting Die	30 mm x 5 mm



For more information, visit [wilsontool.com](http://wilsontool.com), call our tooling technicians at +44 (0) 1793 831 818 or contact your sales engineer.