

Multitool 10 statii TRUMPF - scule si piese de schimb (2 pagini)

FOR GROUP I MACHINES



Upper Unit Assembly



Punch



Die



Stripper



Lower Unit Assembly



Lower Unit Assembly with Brushes

UPPER UNIT ASSEMBLY

DESCRIPTION	CAT. NO.	PRICE
Upper Unit Assembly	25967	1844,70 €

PUNCH

DESCRIPTION	CAT. NO.	PRICE	OPTIMA®
Round	25809	40,20 €	Standard
Square	25873	45,80 €	12,70 €
Rectangle	25874	45,80 €	12,70 €
Standard Shape	25810	45,80 €	12,70 €

DIE

DESCRIPTION	CAT. NO.	PRICE
Round	25996	33,50 €
Square	25997	42,50 €
Rectangle	25997	42,50 €
Standard Shape	25997	42,50 €

STRIPPER

DESCRIPTION	CAT. NO.	PRICE
Standard with 11.5 mm holes	25969	82,70 €
Fitted (for thin material)	25970	156,30 €

COATED STRIPPER

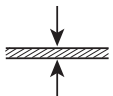
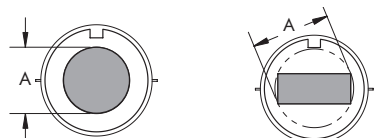
DESCRIPTION	CAT. NO.	PRICE
Round	26855	80,60 €
Shape	26854	93,90 €

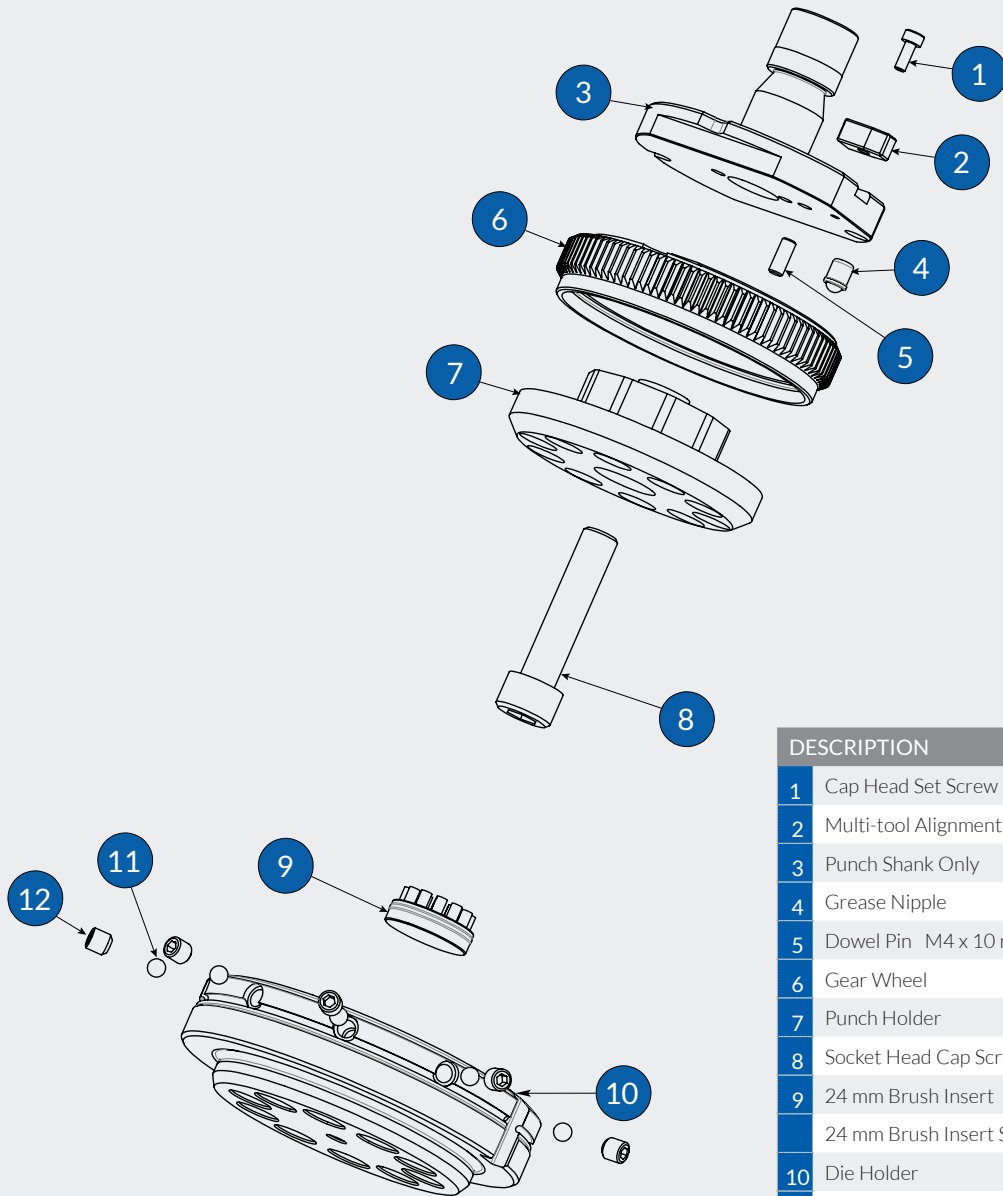
DIE SHIM

DESCRIPTION	CAT. NO.	PRICE
Die Shim Pack	25995	6,30 €

LOWER UNIT ASSEMBLY

DESCRIPTION	CAT. NO.	PRICE
Standard	25985	1035,70 €
With Brushes	26027	1320,70 €

MAX. MATERIAL THICKNESS	MAX 'A' DIMENSION	NOTES
Mild steel & Aluminum 4.5 mm Stainless steel 3.0 mm 	10.5 mm 	All punches and dies will be made for position 1, angle 90° unless stated otherwise. Round punches Optima® coated as standard. Coated Strippers only available for Groups H & I. Brush Unit Assembly includes 1 x 24 mm and 10 x 10 mm brush inserts.



DESCRIPTION	CAT. NO.
1 Cap Head Set Screw M3 x 8 mm	25901
2 Multi-tool Alignment Key	25902
3 Punch Shank Only	25961
4 Grease Nipple	25906
5 Dowel Pin M4 x 10 mm	24097
6 Gear Wheel	25972
7 Punch Holder	25971
8 Socket Head Cap Screw M10 x 35 mm	24251
9 24 mm Brush Insert	25926
24 mm Brush Insert Shim Pack	25929
10 Die Holder	25994
11 Ball Bearing Ø 5 mm	24213
12 Flat Point Socket Set Screw M6 x 6 mm	970371
10 mm Brush Inserts	25924
10 mm Brush Insert Pack [1 x 0.1 mm, 1 x 0.3 mm]	25927

Complete Parts Kits, Cat. No. 25973
1, 2, 4, 5, 8

26 STANDARD SHAPES

