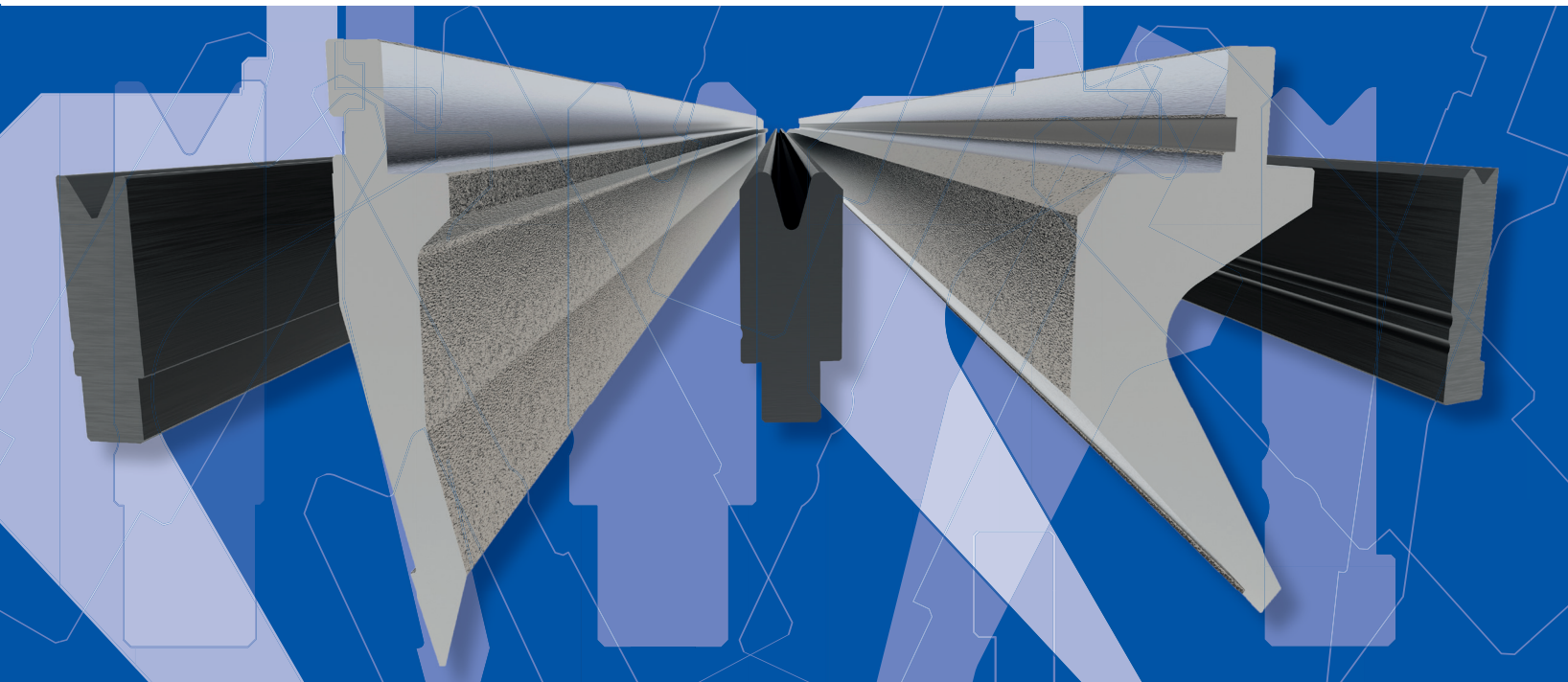




SM TECH SRL
www.sm-tech.ro



FIXED HEIGHT | Catalogue



Catalog scule abkant compatibile Amada® AFH - Amada Fixed Height

Distribuito: SM TECH SRL <https://www.sm-tech.ro>

2021

Terms and Conditions

Order	Minimum order is £35.00
Credit	All orders are subject to the approval of our credit department. If you are a new account, please furnish us with a bank reference and three supplier references. A credit limit will be imposed on new accounts until credit has been established.
Payment	Terms are net 30 days.
Cancellation	In the event an order is cancelled, a charge will be made to cover labour, materials and overheads.
Returned Material	A handling charge of 25% is made on all standard parts returned for credit. Written permission and shipping instructions must be obtained before the return of any material. Special tooling cannot be returned.
Claims	All claims for shortages must be made within 3 days of the invoice date.
Prices	Prices and specifications subject to change without prior notice. E & OE. All prices are exclusive of VAT.



Contents

PUNCHES

STANDARD	4
GOOSE-NECK	5
SASH	6
THIN TIP GOOSE-NECK	7
ACUTE ANGLE.....	8

DIES

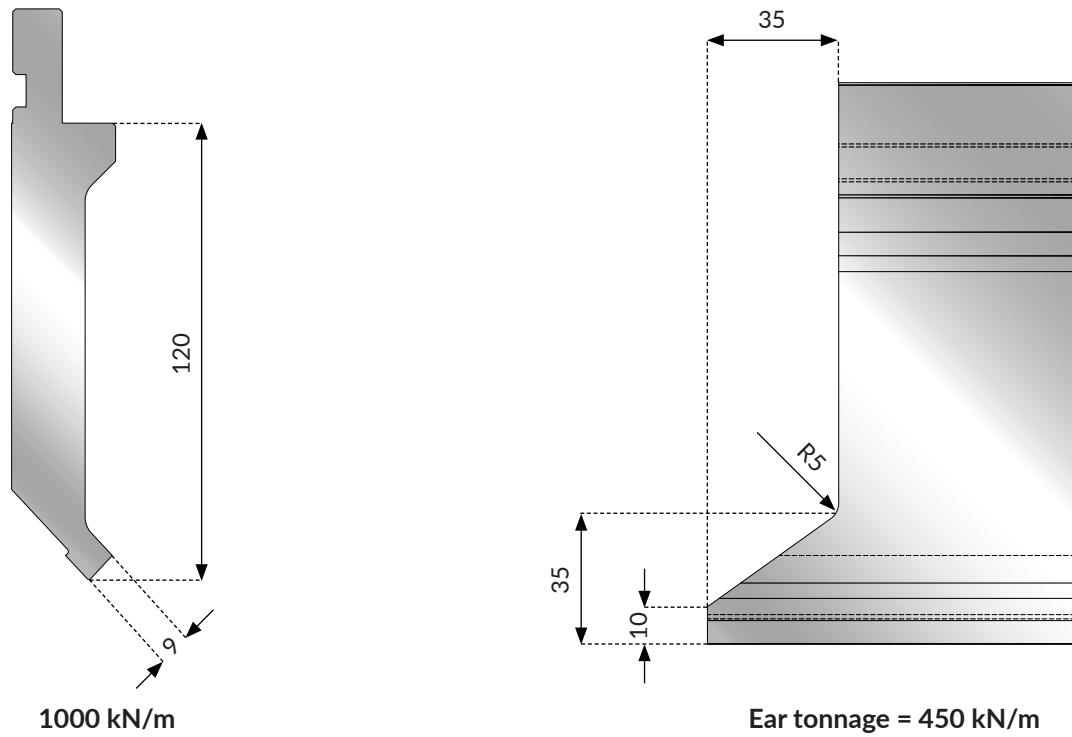
30°	10
60°	12
86°, 88°, 90°	14
86°, 88°.....	16
86°, 88°, 84°	17

REFERENCES

STANDARD PUNCH AND DIE LENGTHS	18
AIR BENDING FORCE CHART METRIC	19
BEND LIMIT GRAPHS.....	21
NOTES.....	24



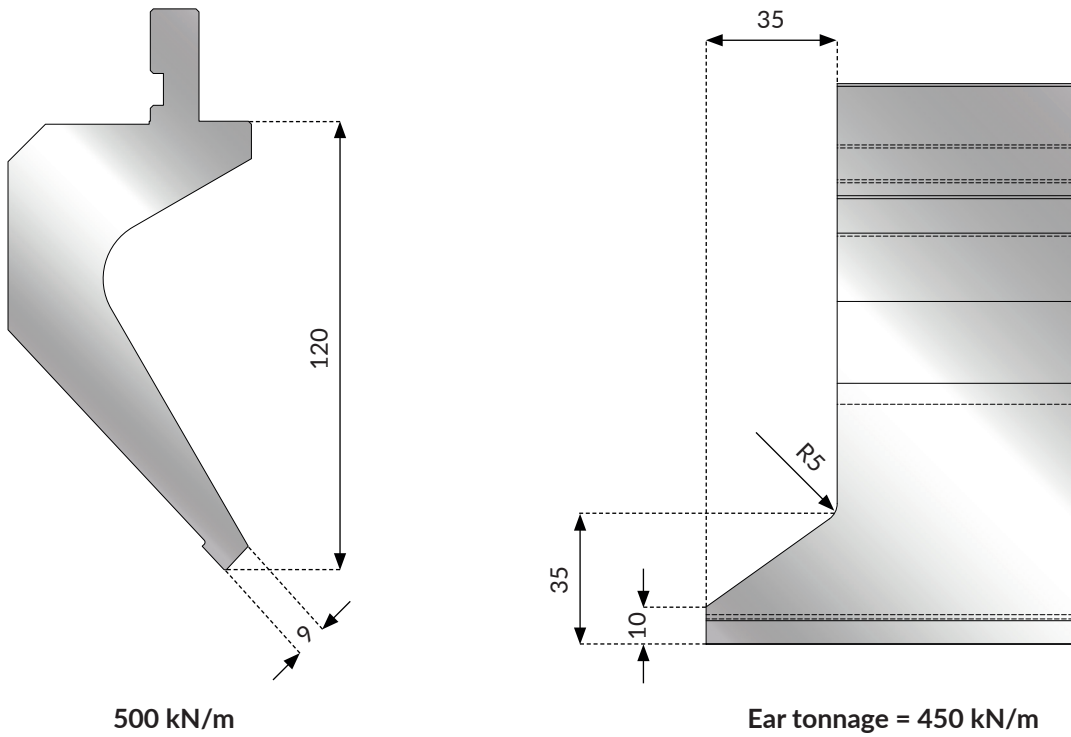
Standard Punch



AMADA® PROFILE #804		CATALOGUE NO.	PRICE	
86°	R0.6	835mm	E4804806L	-
		415mm	E4804806S	-
		800mm Sect.	E4804806X	-
	R1.5	835mm	E4804815L	-
		415mm	E4804815S	-
		800mm Sect.	E4804815X	-
	R3	835mm	E4804830L	-
		415mm	E4804830S	-
		800mm Sect.	E4804830X	-
88°	R0.6	835mm	E4804706L	-
		415mm	E4804706S	-
		800mm Sect.	E4804706X	-
90°	R0.6	835mm	E4804906L	-
		415mm	E4804906S	-
		800mm Sect.	E4804906X	-

NOTE: ALL PUNCHES SUPPLIED INDUCTION HARDENED AS STANDARD

Goose-neck Punch

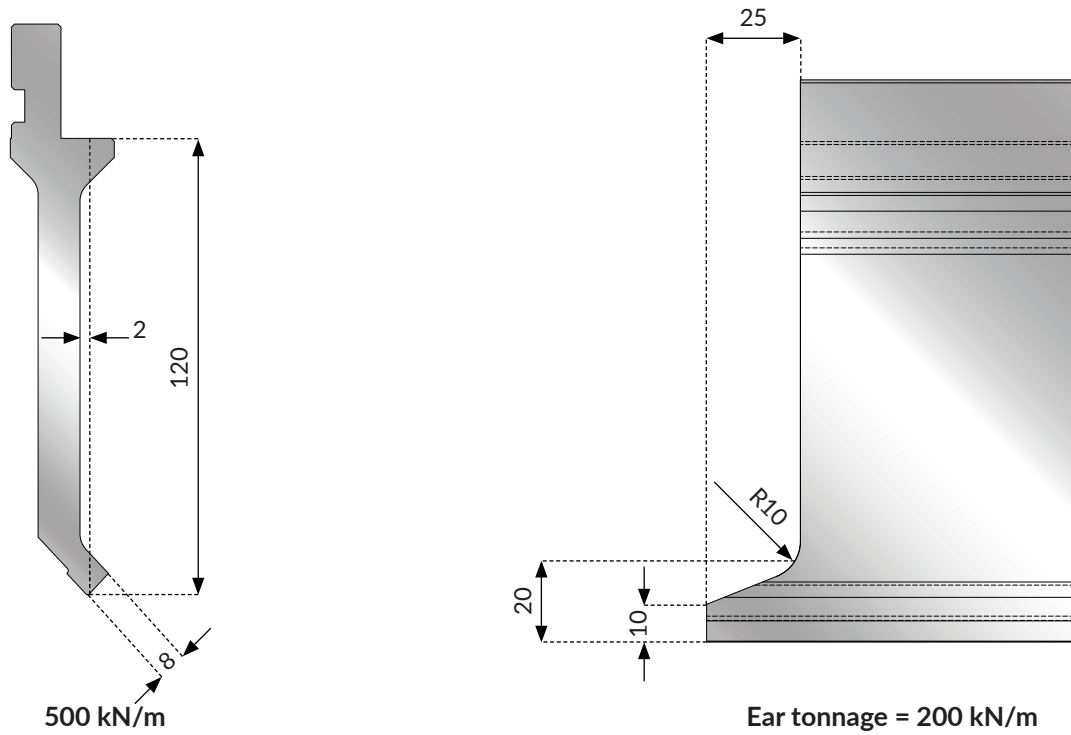


AMADA® PROFILE #847		CATALOGUE NO.	PRICE	
86°	R0.6	835mm	E4847806L	-
		415mm	E4847806S	-
		800mm Sect.	E4847806X	-
	R1.5	835mm	E4847815L	-
		415mm	E4847815S	-
		800mm Sect.	E4847815X	-
	R3	835mm	E4847830L	-
		415mm	E4847830S	-
		800mm Sect.	E4847830X	-
88°	R0.6	835mm	E4847706L	-
		415mm	E4847706S	-
		800mm Sect.	E4847706X	-
90°	R0.6	835mm	E4847906L	-
		415mm	E4847906S	-
		800mm Sect.	E4847906X	-

NOTE: ALL PUNCHES SUPPLIED INDUCTION HARDENED AS STANDARD



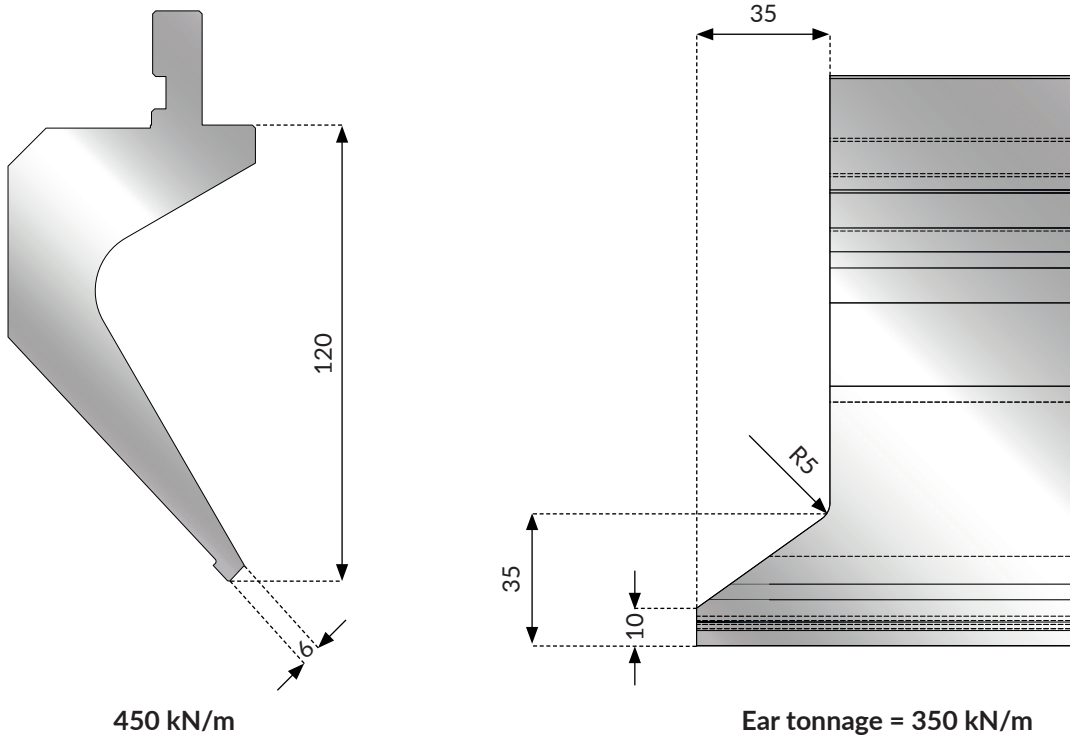
Sash



AMADA® PROFILE #820		CATALOGUE NO.	PRICE	
86°	R0.6	835mm	E4820806L	-
		415mm	E4820806S	-
		800mm Sect.	E4820806X	-
	R1.5	835mm	E4820815L	-
		415mm	E4820815S	-
		800mm Sect.	E4820815X	-
88°	R0.6	835mm	E4820706L	-
		415mm	E4820706S	-
		800mm Sect.	E4820706X	-

NOTE: ALL PUNCHES SUPPLIED INDUCTION HARDENED AS STANDARD

Thin Tip Goose-Neck

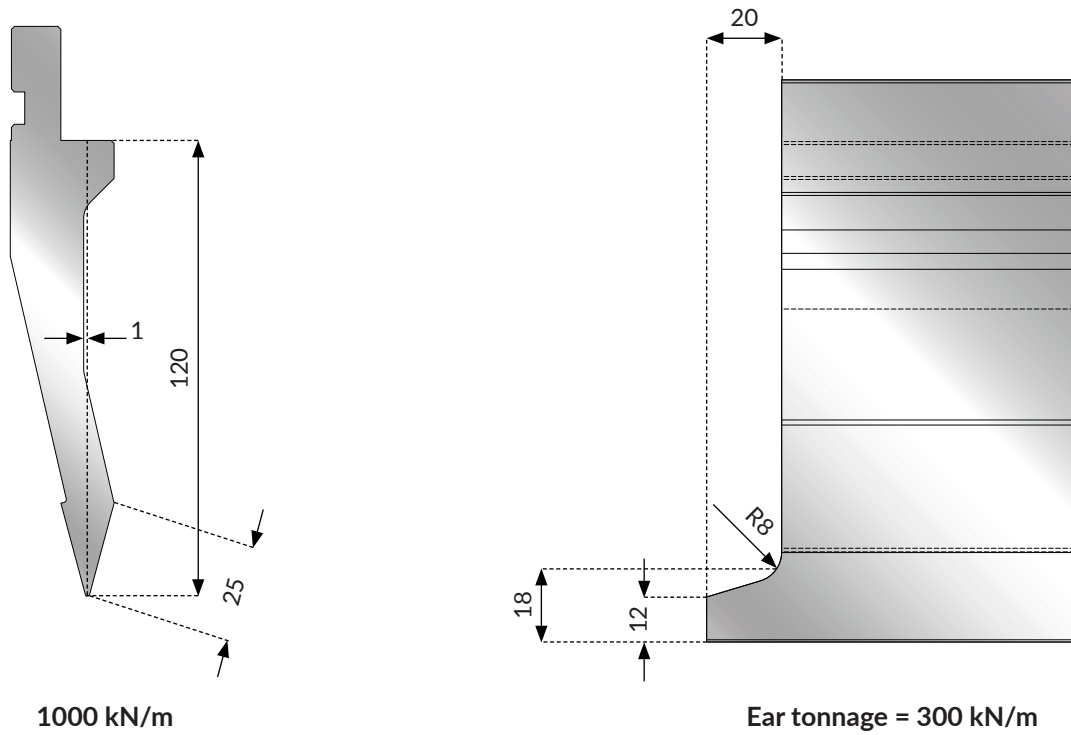


AMADA® PROFILE #846		CATALOGUE NO.	PRICE	
86°	R0.6	835mm	E4846806L	-
		415mm	E4846806S	-
		800mm Sect.	E4846806X	-
88°	R0.6	835mm	E4846706L	-
		415mm	E4846706S	-
		800mm Sect.	E4846706X	-

NOTE: ALL PUNCHES SUPPLIED INDUCTION HARDENED AS STANDARD



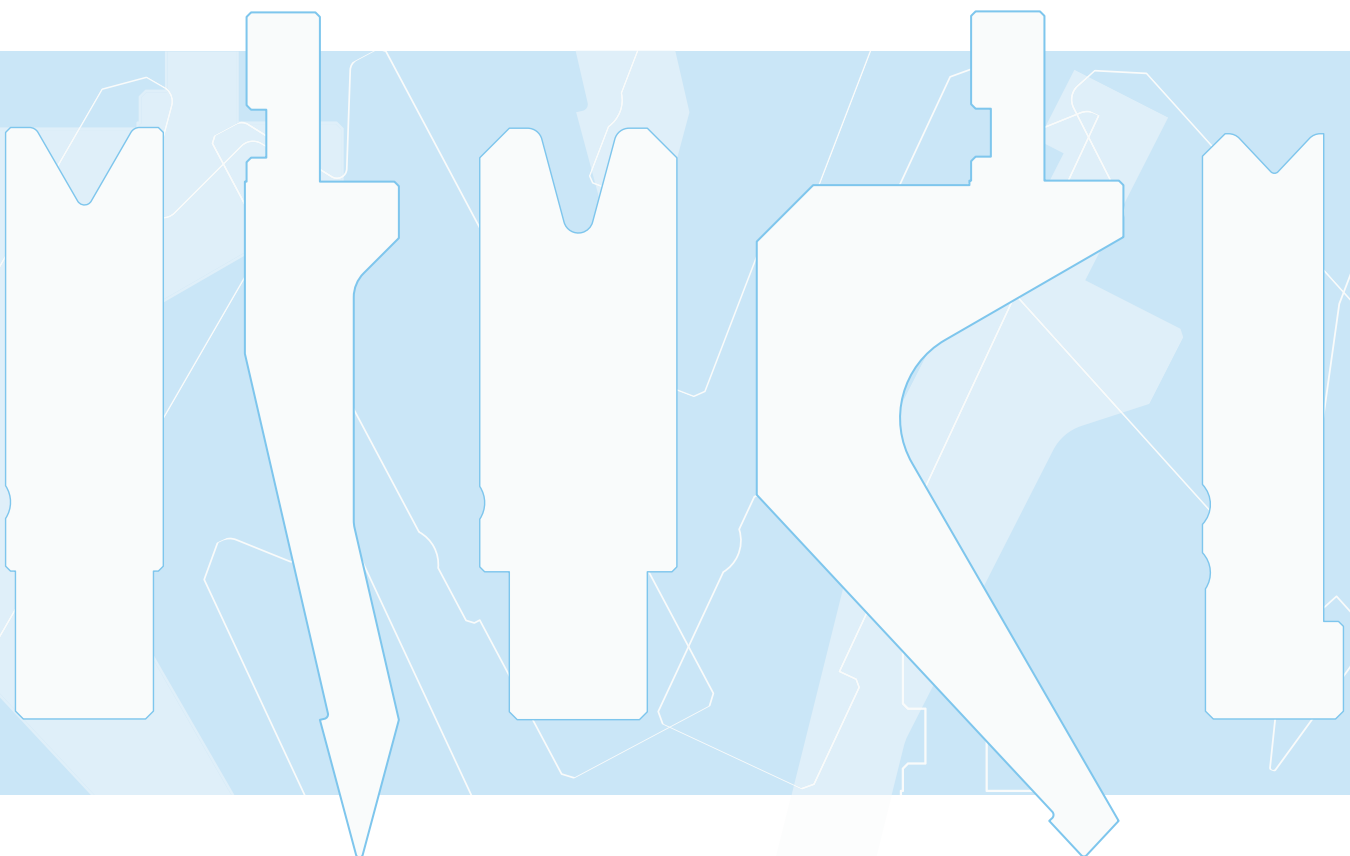
Acute Angle



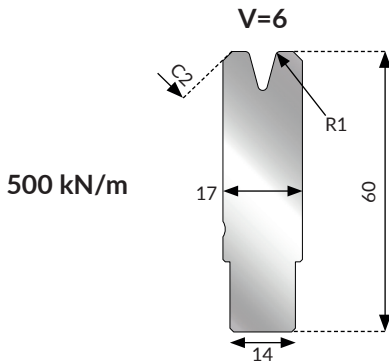
AMADA® PROFILE #831		CATALOGUE NO.	PRICE	
26°	R0.6	835mm	E4831206L	-
		415mm	E4831206S	-
		800mm Sect.	E4831206X	-
30°	R0.6	835mm	E4831306L	-
		415mm	E4831306S	-
		800mm Sect.	E4831306X	-
	R1.5	835mm	E4831315L	-
		415mm	E4831315S	-
		800mm Sect.	E4831315X	-
	R3	835mm	E4831330L	-
		415mm	E4831330S	-
		800mm Sect.	E4831330X	-
	R4	835mm	E4831340L	-
		415mm	E4831340S	-
		800mm Sect.	E4831340X	-

NOTE: ALL PUNCHES SUPPLIED INDUCTION HARDENED AS STANDARD

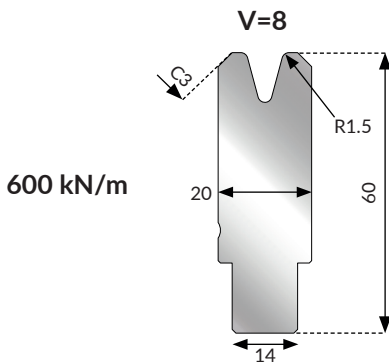
FIXED HEIGHT | Dies



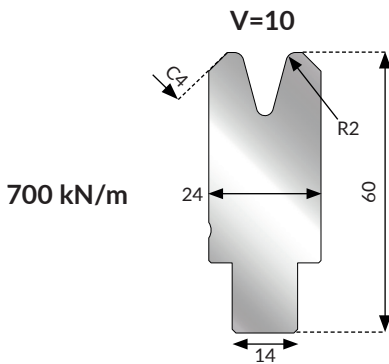
30° Dies



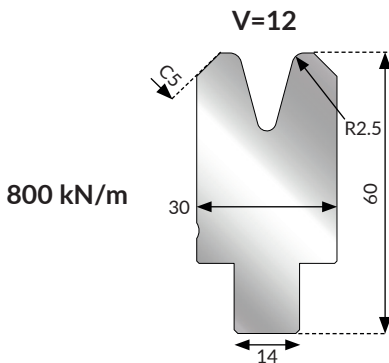
AMADA® PROFILE #0703		CATALOGUE NO.	PRICE	
30°	V=6	835mm	E4070310L	-
		415mm	E4070310S	-
		800mm Sect.	E4070310X	-



AMADA® PROFILE #0713		CATALOGUE NO.	PRICE	
30°	V=8	835mm	E4071315L	-
		415mm	E4071315S	-
		800mm Sect.	E4071315X	-



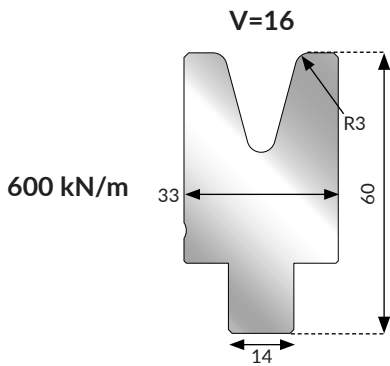
AMADA® PROFILE #0723		CATALOGUE NO.	PRICE	
30°	V=10	835mm	E4072320L	-
		415mm	E4072320S	-
		800mm Sect.	E4072320X	-



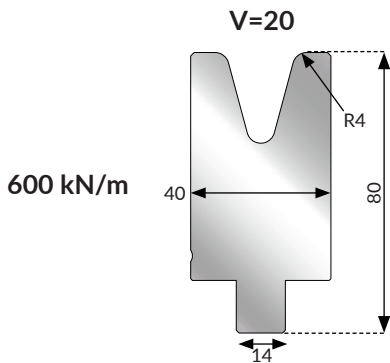
AMADA® PROFILE #0743		CATALOGUE NO.	PRICE	
30°	V=12	835mm	E4074325L	-
		415mm	E4074325S	-
		800mm Sect.	E4074325X	-

NOTE: ALL DIES SUPPLIED WITH NITREX® AS STANDARD

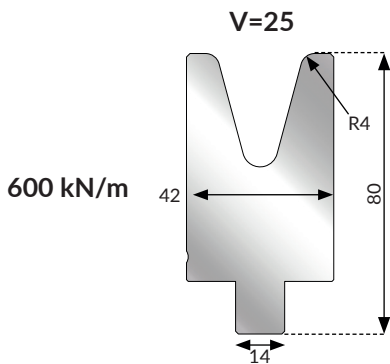
30° Dies



AMADA® PROFILE #0773		CATALOGUE NO.	PRICE	
30°	V=16	835mm	E4077330L	-
		415mm	E4077330S	-
		800mm Sect.	E4077330X	-



AMADA® PROFILE #0793		CATALOGUE NO.	PRICE	
30°	V=20	835mm	E4079340L	-
		415mm	E4079340S	-
		800mm Sect.	E4079340X	-



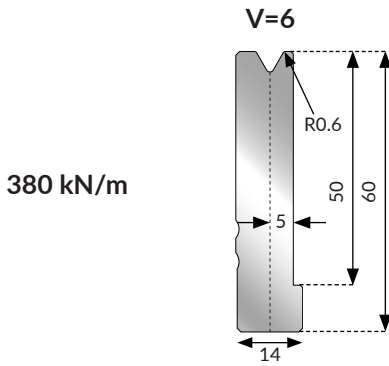
AMADA® PROFILE #0823		CATALOGUE NO.	PRICE	
30°	V=25	835mm	E4082340L	-
		415mm	E4082340S	-
		800mm Sect.	E4082340X	-

NOTE: ALL DIES SUPPLIED WITH NITREX® AS STANDARD

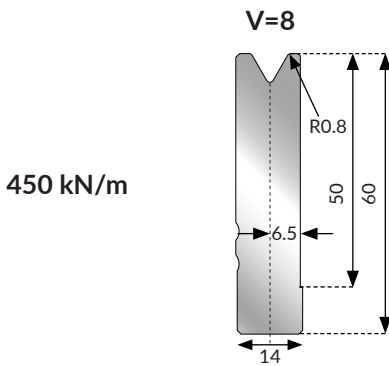


FIXED HEIGHT DIES

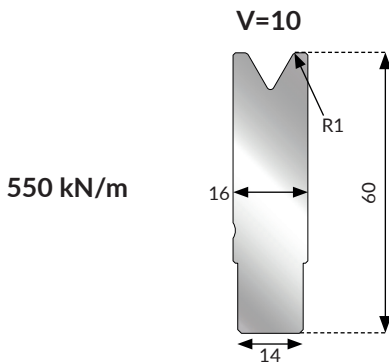
60° Dies



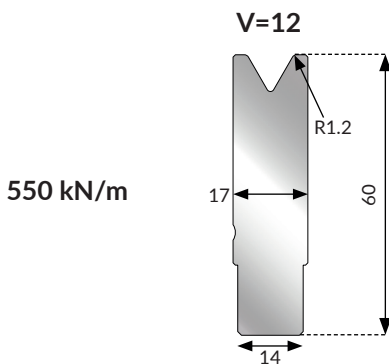
AMADA® PROFILE #0706		CATALOGUE NO.	PRICE	
60°	V=6	835mm	E4070606L	-
		415mm	E4070606S	-
		800mm Sect.	E4070606X	-



AMADA® PROFILE #0716		CATALOGUE NO.	PRICE	
60°	V=8	835mm	E4071608L	-
		415mm	E4071608S	-
		800mm Sect.	E4071608X	-



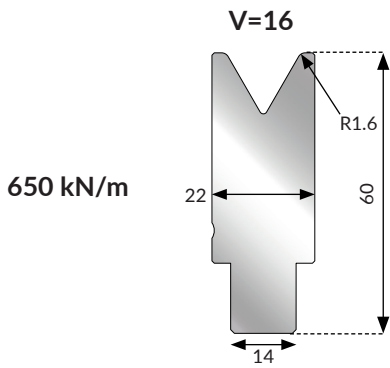
AMADA® PROFILE #0726		CATALOGUE NO.	PRICE	
60°	V=10	835mm	E4072610L	-
		415mm	E4072610S	-
		800mm Sect.	E4072610X	-



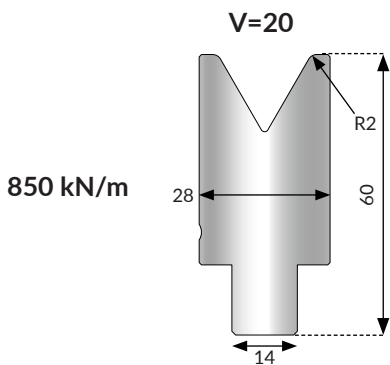
AMADA® PROFILE #0746		CATALOGUE NO.	PRICE	
60°	V=12	835mm	E4074612L	-
		415mm	E4074612S	-
		800mm Sect.	E4074612X	-

NOTE: ALL DIES SUPPLIED WITH NITREX® AS STANDARD

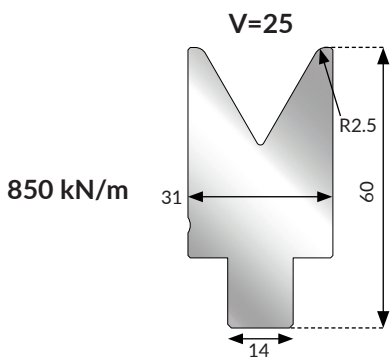
60° Dies



AMADA® PROFILE #0776		CATALOGUE NO.	PRICE	
60°	V=16	835mm	E4077616L	-
		415mm	E4077616S	-
		800mm Sect.	E4077616X	-



AMADA® PROFILE #0796		CATALOGUE NO.	PRICE	
60°	V=20	835mm	E4079620L	-
		415mm	E4079620S	-
		800mm Sect.	E4079620X	-



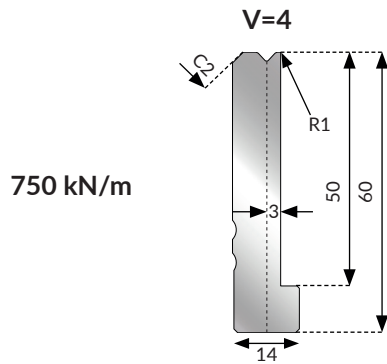
AMADA® PROFILE #0826		CATALOGUE NO.	PRICE	
60°	V=25	835mm	E4082625L	-
		415mm	E4082625S	-
		800mm Sect.	E4082625X	-

NOTE: ALL DIES SUPPLIED WITH NITREX® AS STANDARD

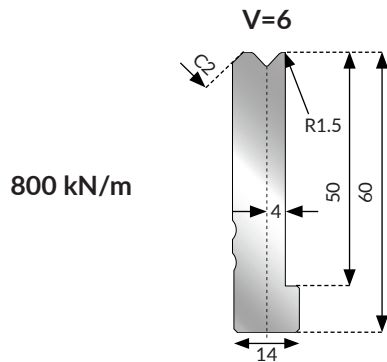


FIXED HEIGHT DIES

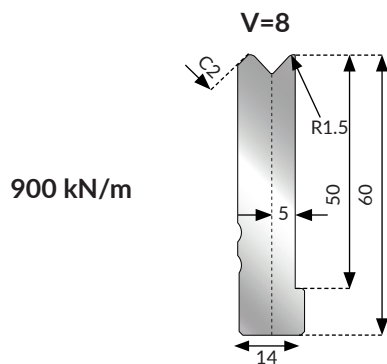
86°, 88°, 90° Dies



AMADA® PROFILE #084		CATALOGUE NO.	PRICE	
86°	V=4	835mm	E4084810L	-
		415mm	E4084810S	-
		800mm Sect.	E4084810X	-
88°	V=4	835mm	E4084710L	-
		415mm	E4084710S	-
		800mm Sect.	E4084710X	-
90°	V=4	835mm	E4084910L	-
		415mm	E4084910S	-
		800mm Sect.	E4084910X	-



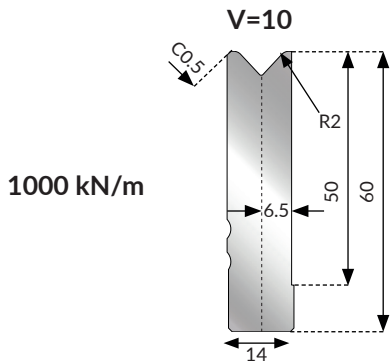
AMADA® PROFILE #070		CATALOGUE NO.	PRICE	
86°	V=6	835mm	E4070815L	-
		415mm	E4070815S	-
		800mm Sect.	E4070815X	-
88°	V=6	835mm	E4070715L	-
		415mm	E4070715S	-
		800mm Sect.	E4070715X	-
90°	V=6	835mm	E4070915L	-
		415mm	E4070915S	-
		800mm Sect.	E4070915X	-



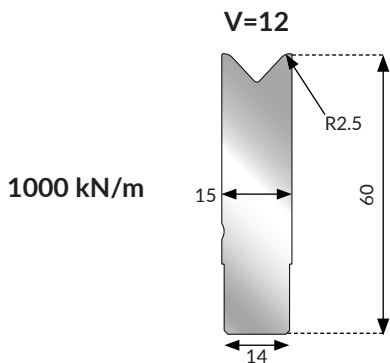
AMADA® PROFILE #071		CATALOGUE NO.	PRICE	
86°	V=8	835mm	E4071815L	-
		415mm	E4071815S	-
		800mm Sect.	E4071815X	-
88°	V=8	835mm	E4071715L	-
		415mm	E4071715S	-
		800mm Sect.	E4071715X	-
90°	V=8	835mm	E4071915L	-
		415mm	E4071915S	-
		800mm Sect.	E4071915X	-

NOTE: ALL DIES SUPPLIED WITH NITREX® AS STANDARD

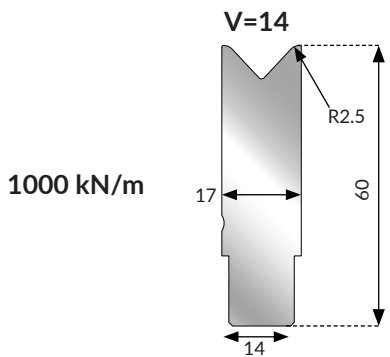
86°, 88°, 90° Dies



AMADA® PROFILE #072		CATALOGUE NO.	PRICE	
86°	V=10	835mm	E4072820L	-
		415mm	E4072820S	-
		800mm Sect.	E4072820X	-
88°	V=10	835mm	E4072720L	-
		415mm	E4072720S	-
		800mm Sect.	E4072720X	-
90°	V=10	835mm	E4072920L	-
		415mm	E4072920S	-
		800mm Sect.	E4072920X	-



AMADA® PROFILE #074		CATALOGUE NO.	PRICE	
86°	V=12	835mm	E4074825L	-
		415mm	E4074825S	-
		800mm Sect.	E4074825X	-
88°	V=12	835mm	E4074725L	-
		415mm	E4074725S	-
		800mm Sect.	E4074725X	-
90°	V=12	835mm	E4074925L	-
		415mm	E4074925S	-
		800mm Sect.	E4074925X	-

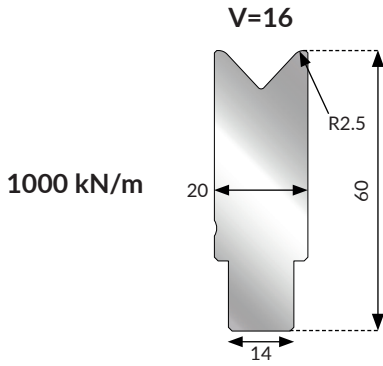


AMADA® PROFILE #076		CATALOGUE NO.	PRICE	
86°	V=14	835mm	E4076825L	-
		415mm	E4076825S	-
		800mm Sect.	E4076825X	-
88°	V=14	835mm	E4076725L	-
		415mm	E4076725S	-
		800mm Sect.	E4076725X	-

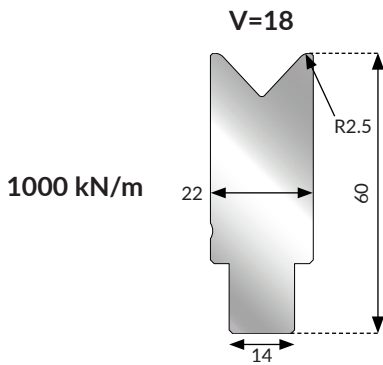
NOTE: ALL DIES SUPPLIED WITH NITREX® AS STANDARD



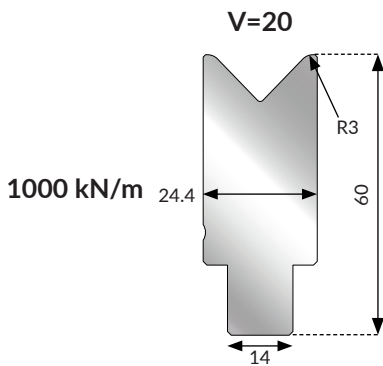
86°, 88° Dies



AMADA® PROFILE #077		CATALOGUE NO.	PRICE	
86°	V=16	835mm	E4077825L	-
		415mm	E4077825S	-
		800mm Sect.	E4077825X	-
88°	V=16	835mm	E4077725L	-
		415mm	E4077725S	-
		800mm Sect.	E4077725X	-



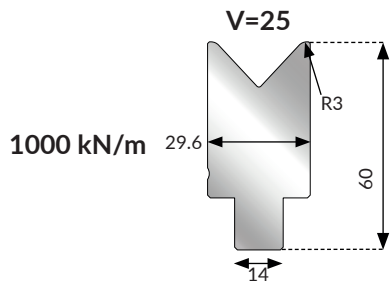
AMADA® PROFILE #078		CATALOGUE NO.	PRICE	
86°	V=18	835mm	E4078825L	-
		415mm	E4078825S	-
		800mm Sect.	E4078825X	-
88°	V=18	835mm	E4078725L	-
		415mm	E4078725S	-
		800mm Sect.	E4078725X	-



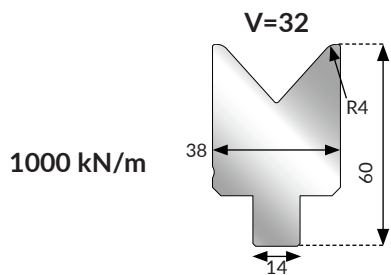
AMADA® PROFILE #079		CATALOGUE NO.	PRICE	
86°	V=20	835mm	E4079830L	-
		415mm	E4079830S	-
		800mm Sect.	E4079830X	-
88°	V=20	835mm	E4079730L	-
		415mm	E4079730S	-
		800mm Sect.	E4079730X	-

NOTE: ALL DIES SUPPLIED WITH NITREX® AS STANDARD

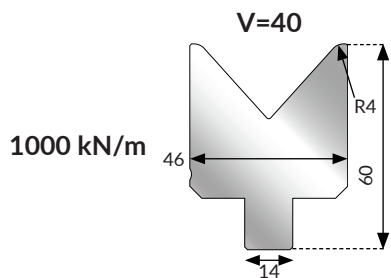
86°, 88°, 84° Dies



AMADA® PROFILE #082		CATALOGUE NO.	PRICE	
86°	V=25	835mm	E4082830L	-
		415mm	E4082830S	-
		800mm Sect.	E4082830X	-
88°	V=25	835mm	E4082730L	-
		415mm	E4082730S	-
		800mm Sect.	E4082730X	-



AMADA® PROFILE #087		CATALOGUE NO.	PRICE	
84°	V=32	835mm	E4087440L	-
		415mm	E4087440S	-
		800mm Sect.	E4087440X	-

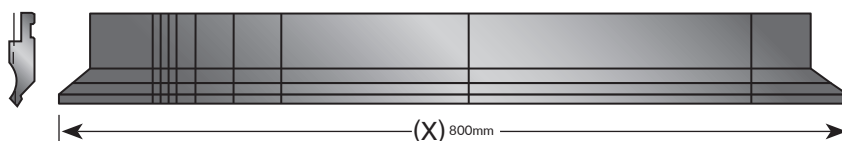
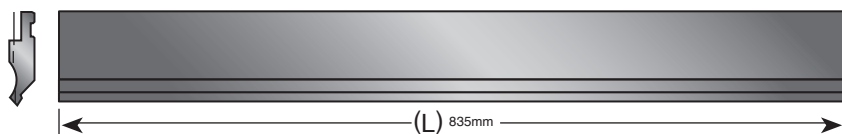
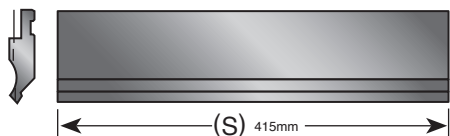


AMADA® PROFILE #088		CATALOGUE NO.	PRICE	
84°	V=40	835mm	E4088440L	-
		415mm	E4088440S	-
		800mm Sect.	E4088440X	-

NOTE: ALL DIES SUPPLIED WITH NITREX® AS STANDARD



Available Lengths



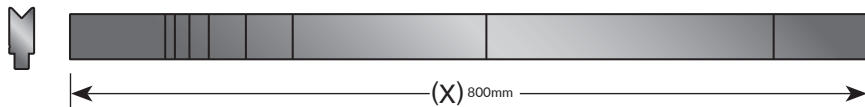
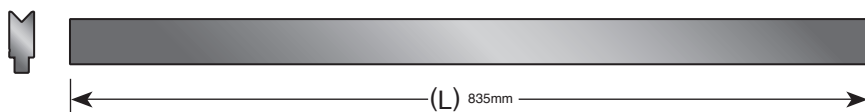
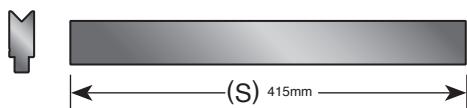
PUNCH FEATURES:

1. Most tools can be easily loaded by a single operator.
2. Easy to store.
3. All sectionalised tools come pre-cut in ten different pieces.
4. Most sectionalised punches include two ear pieces (horns).
5. Punches are induction hardened, to 55-58 HRC.
6. Special Tooling available. Please contact the sales desk.

PUNCH LENGTHS ARE AS FOLLOWS:

1 x 100 **LEFT EAR**, 15, 15, 20, 40, 50, 150, 300, 100 **RIGHT EAR** (10 pieces total)

NOTE: SPECIAL LENGTHS ARE AVAILABLE AT ADDITIONAL COST, JUST SELECT THE STANDARD LENGTH AND ASK US TO CUT TO YOUR REQUIREMENTS.



DIE FEATURES:

1. Most tools can be easily loaded by a single operator.
2. Easy to store.
3. All sectionalised tools come pre-cut in nine different pieces.
4. All dies are NITREX® enhanced (HRC 60) as standard.
5. Special Tooling available. Please contact the sales desk.

DIE SECTION WIDTHS ARE AS FOLLOWS:

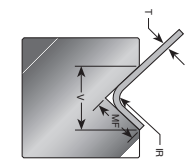
100mm / 10, 15, 15, 20, 40, 50, 150, 400

NOTE: SPECIAL LENGTHS ARE AVAILABLE AT ADDITIONAL COST, JUST SELECT THE STANDARD LENGTH AND ASK US TO CUT TO YOUR REQUIREMENTS.

Air Bending Force Chart Metric

STANDARD FORMULAS FOR SELECTING A V-OPENING MATERIAL THICKNESS		TONNAGE REQUIRED FOR MILD STEEL	
2.6mm OR LESS	= T x 6	Soft Brass	x 0.5
3.0mm - 8.0mm	= T x 8	Soft Aluminium	x 0.5
9.0mm - 12.0mm	= T x 10	Heat Treated Aluminium Alloys	x 1
14.0mm and THICKER	= T x 12	Stainless Steel	x 1.5

Note:
The formulas are for reference only. For more specific information, please refer to the chart below. Chart below is for mild steel.



FIGURES BASED ON MILD STEEL																							
THICKNESS	V (mm)	4	6	7	8	10	12	14	16	18	20	22	25	32	40	50	63	80	100	125	160	200	250
		0.5mm	4.5	2.8	4.2	4.9	5.6	7.0	8.6	10.1	11.5	13.0	14.4	*15.8	18.0	24.0	30.0	37.5	47.3	60.0	75.0	96.3	123.2
0.6mm	6.0	4.2	3.3	3.2																			
0.8mm	8.0	7.2	5.6	4.4																			
1.0mm	11.0	10.0	9.0	7.0	5.5																		
1.2mm			14.0	13.2	10.8	8.4	7.5	6.6															
1.4mm				15.4	14.0	12.6	9.8	8.8	7.7														
1.6mm					17.6	16.0	14.4	11.2	10.0	8.8													
2.0mm	T					22.0	20.0	18.0	16.0	14.0	12.5	11.0											
2.3mm	O						25.3	23.0	20.7	18.4	16.1	14.4	12.7										
2.6mm	N							28.6	26.0	23.4	20.8	18.2	14.3										
3.0mm	S								33.0	30.0	28.53	27.0	21.0	16.5									
3.2mm										35.2	31.9	28.8	22.4	17.6	14.4								
3.5mm	P										38.5	35.0	28.0	21.9	15.8	14.0							
4.0mm	E											44.0	45.0	36.0	28.0	22.0	18.0						
4.5mm	R												55.0	36.0	28.1	20.3							
5.0mm														45.0	35.0	26.3	22.5						
6.0mm	M														60.0	54.0	31.5	24.0					
7.0mm	E															56.0	43.8	31.5	28.0				
9.0mm	T																72.0	56.3	40.5				
10.0mm	R																	90.0	70.0	52.5	45.0		
12.0mm	E																		108.0	84.0	63.0	54.0	
16.0mm																				144.0	112.0	84.0	72.0
19.0mm																					152.0	118.8	99.8
22.0mm																						176.0	137.5
25.0mm																							225.0
30.0mm																							270.0

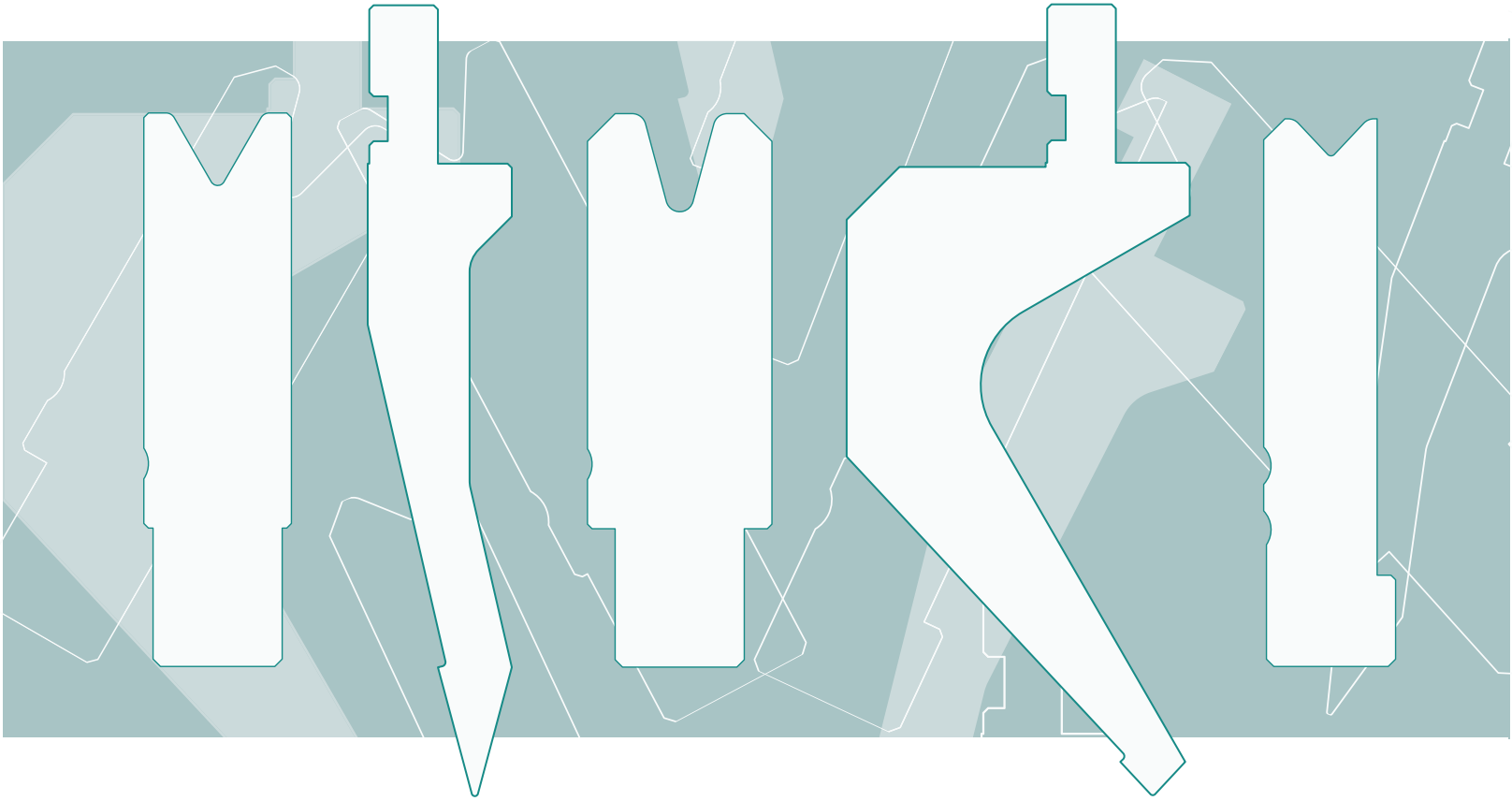
• T = MATERIAL THICKNESS • V = V-OPENING • MF = MINIMUM FLANGE LENGTH • IR = INSIDE RADIUS

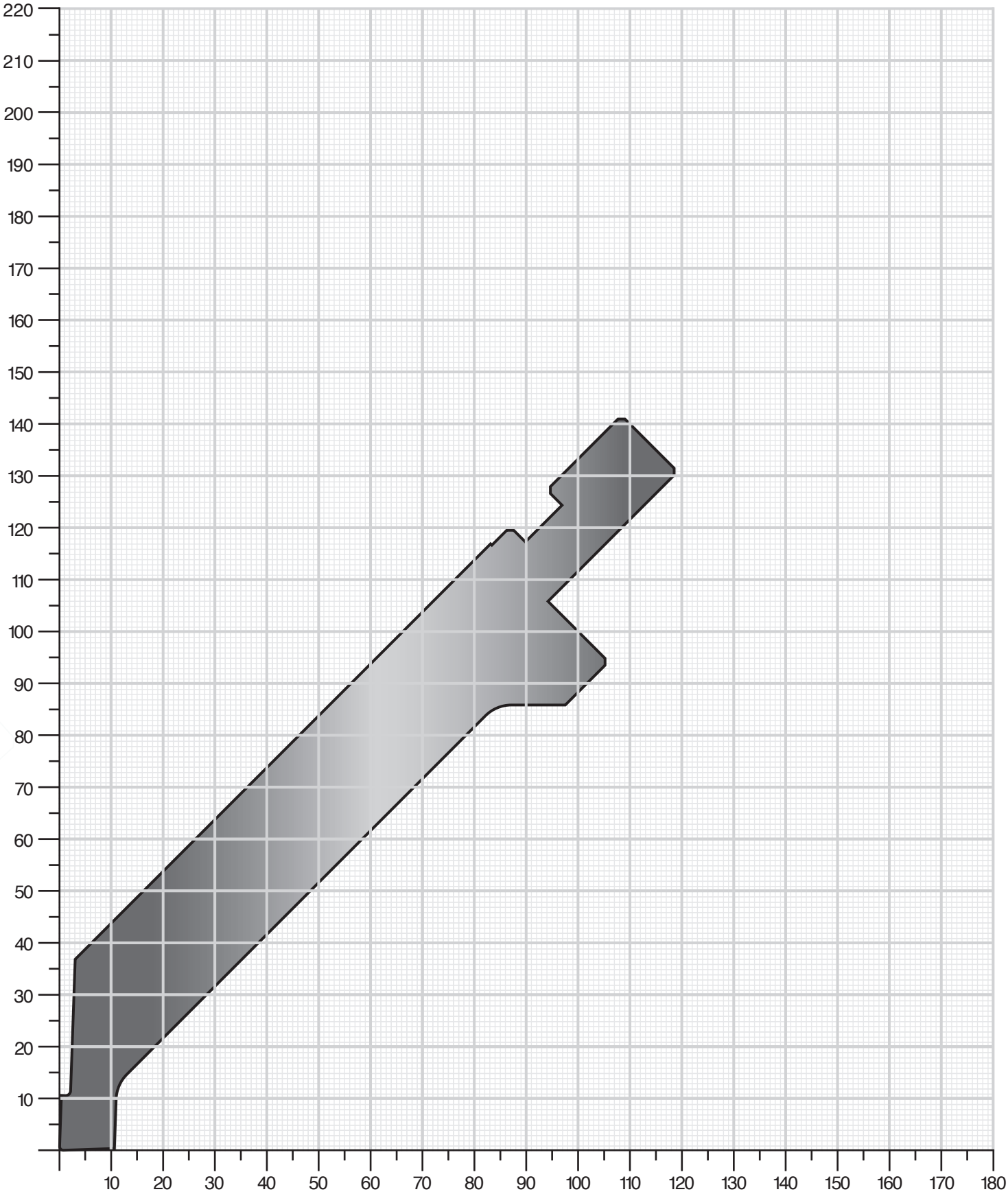
The bending force (tonnage) figures listed above are based on mild steel with a tensile strength of 45-50 kilograms per square millimetre. To calculate the approximate bending force (tonnage) requirements for other materials, please use the multipliers listed.

Note: * Based on bending to an included angle of 88 degrees. This dimension will increase when bending to an included angle of less than 88 degrees.

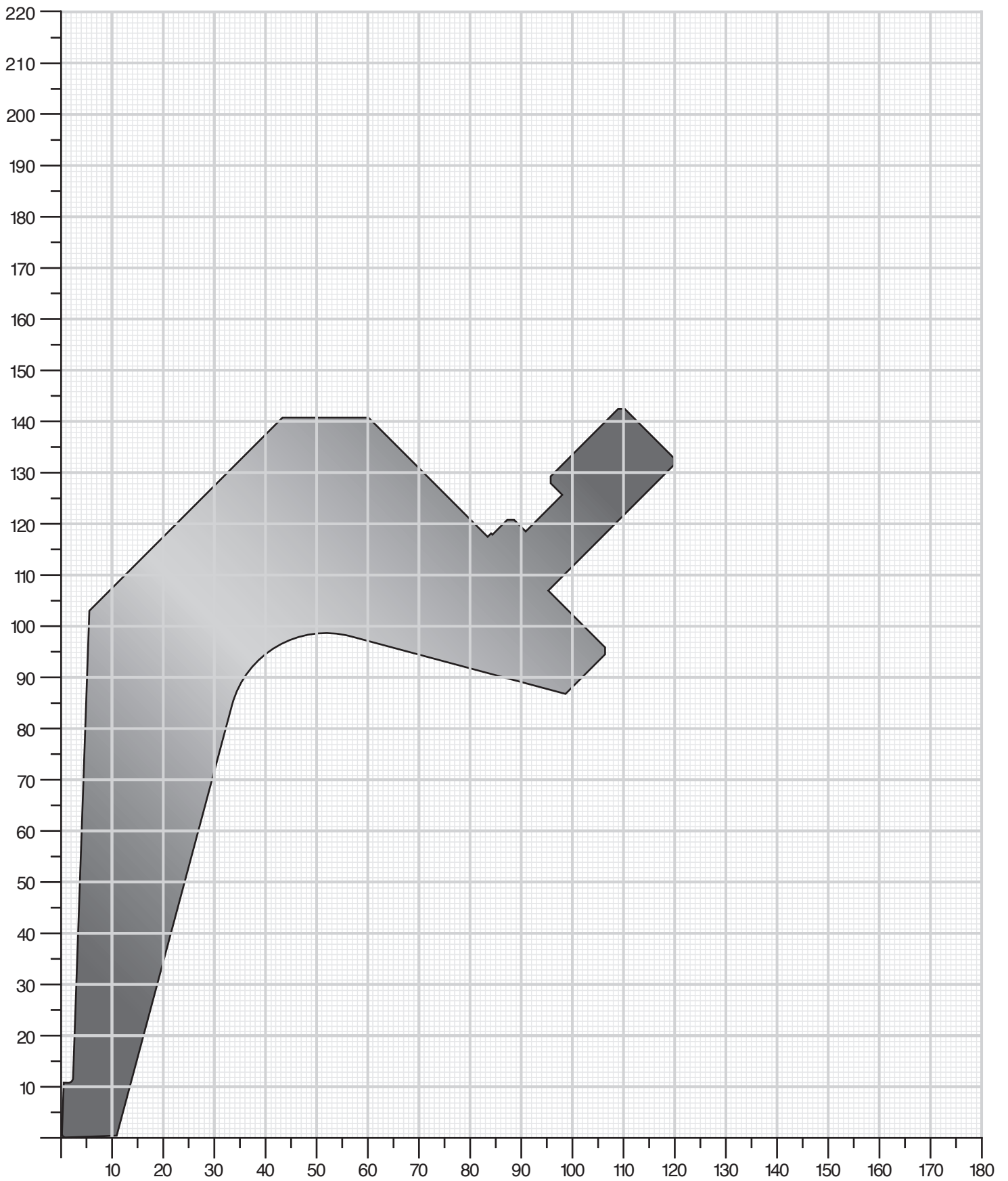


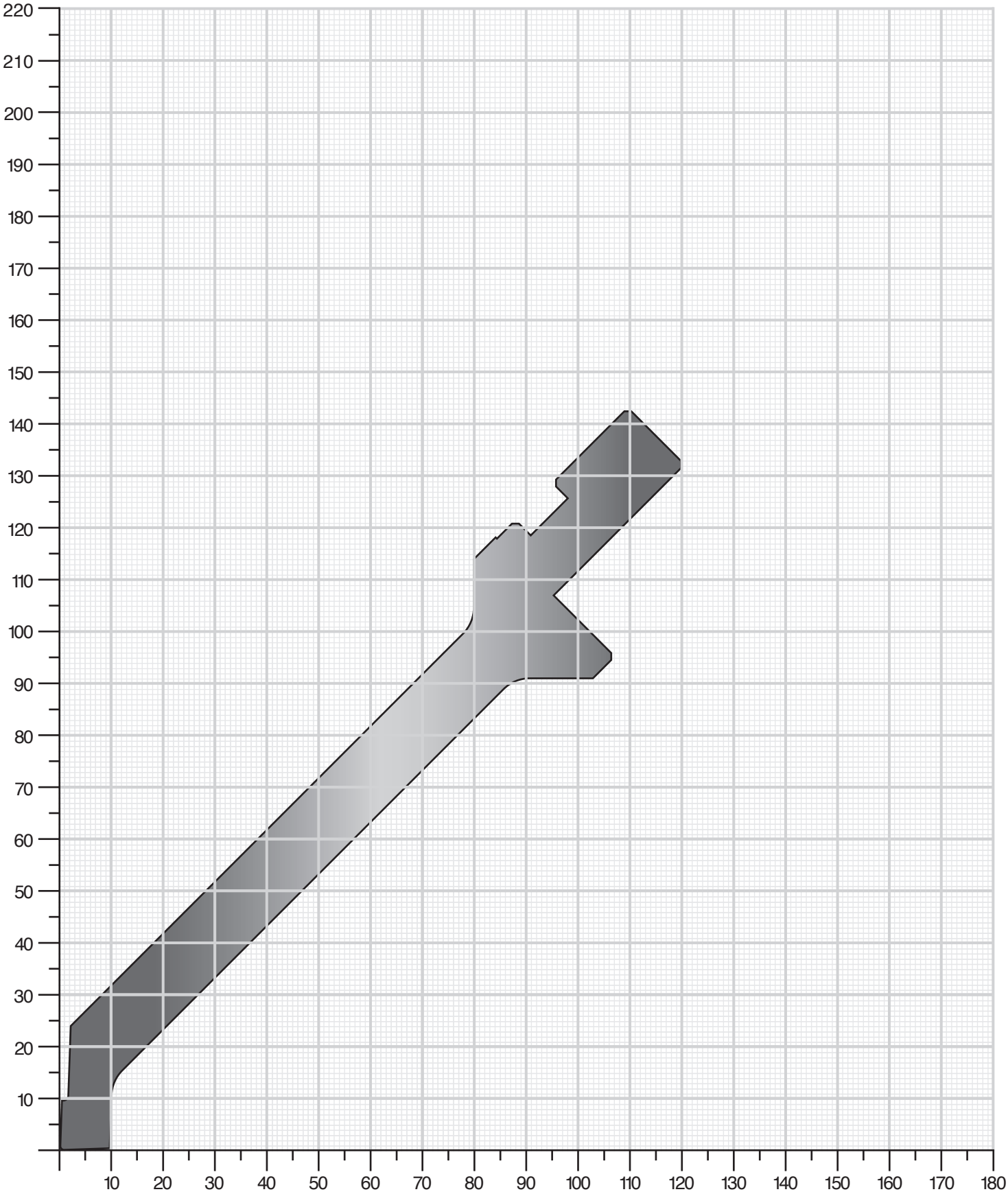
FIXED HEIGHT | Bend Limit Graphs



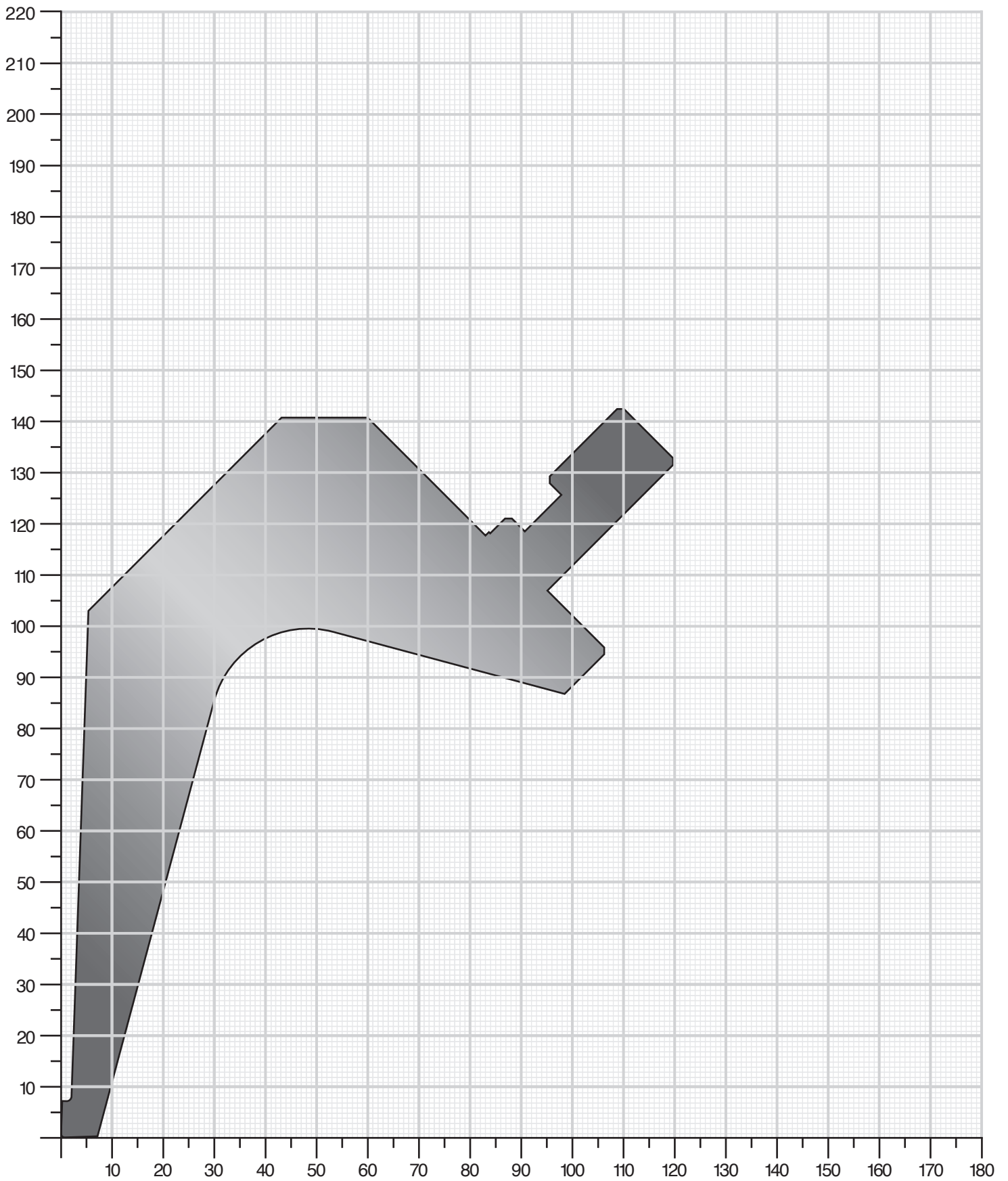


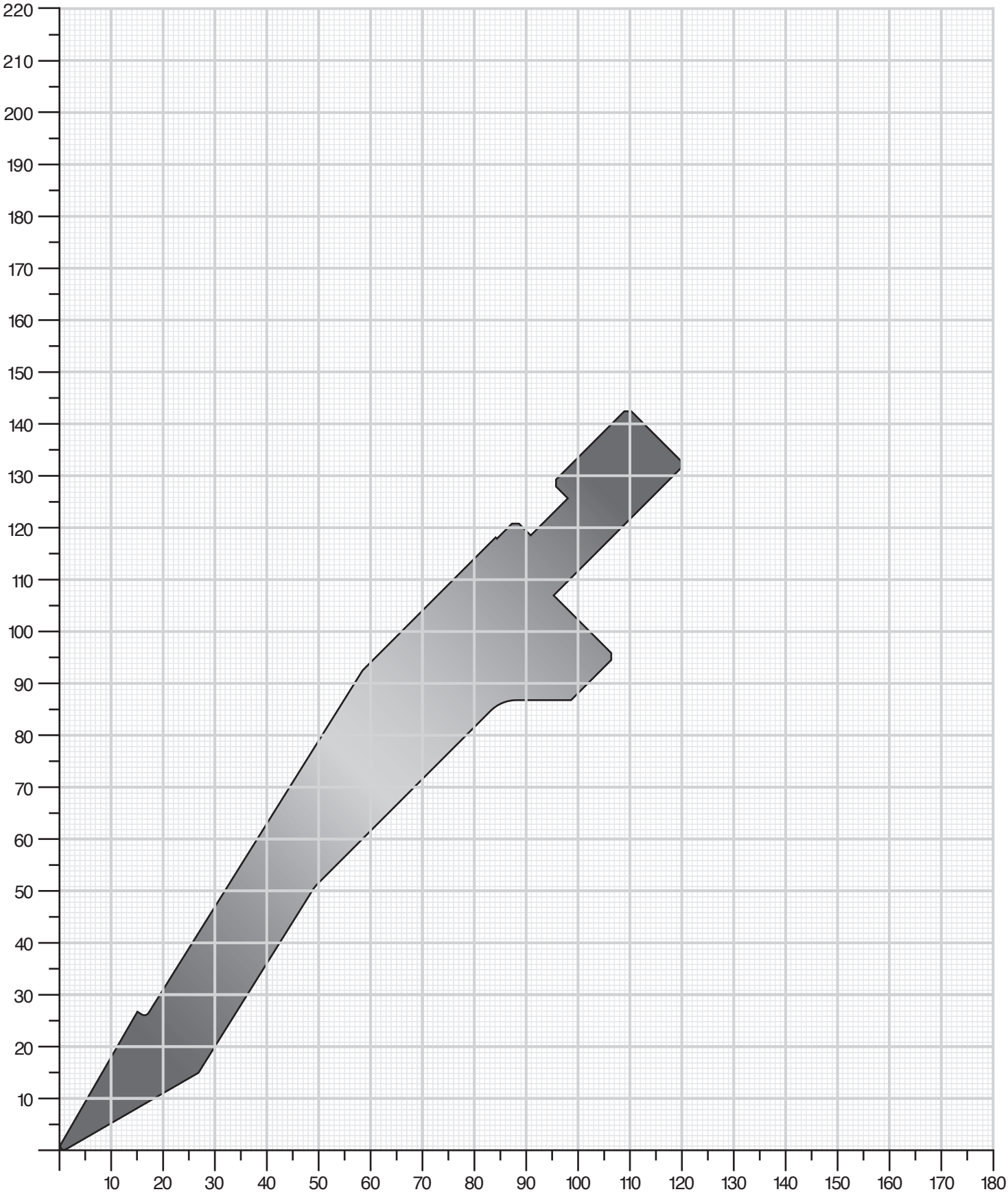
BEND LIMIT GRAPH E4847





BEND LIMIT GRAPH E4846









WILSON TOOL INTERNATIONAL (EUROPE) LTD.

WORLD HEADQUARTERS

Wilson Tool International - United States

Tel (Free): 800-328-9646 | Tel: 651-286-6001
Email: sales@wilsontool.com

NORTH AMERICA

Wilson Tool - Canada

Punching and Stamping Division
Email: punching@wilsontoolcanada.com

Wilson Tool - Canada

Press Brake Division
Tel: 800-268-4180
Email: bending@wilsontoolcanada.com

Wilson Tool - Mexico

Tel: (81) 1665 1249
Email: americalatina@wilsontool.com

SOUTH AMERICA

Wilson Tool - Argentina

Tel: +54 114 799 6519
Email: ventassudamerica@wilsontool.com

Milling Ferramentas - Brazil

Tel: 55 11 5621-2100
Email: vendas@millling.com.br

EUROPE / MIDDLE EAST / AFRICA

Wilson Tool - United Kingdom

Tel (Free): 0800-373748 | Tel: +44 1793 831818

Ireland Tel (Free): 1-800 709 009
Email: pb.sales@wilsontool.eu.com

Wilson Tool - Germany

Tel: +49 5723 747 0
Fax: +49 5723 747 10
Email: verkauf@wilsontool.eu.com

Wilson Tool - Denmark

Tel: +45 44 53 1699 | Fax: +45 44 53 0607
Email: salesdk@wilsontool.eu.com

Wilson Tool - France

Tel: +33 (0) 164 13 47 80 | Fax: +33 (0) 164 13 47 81
Email: ventes@wilsontool.eu.com

Wilson Tool - Switzerland

Tel (Free): 00800-9457668665 | Tel: +49 5723 747 0
Fax (Free): 00800-945766329 | Fax: +49 5723 747 10
Email: verkauf@wilsontool.eu.com

Toolspress - Italy

Tel: +39 0521 850510 / 850677
Fax: +39 0521 850796
Email: sales@toolspress.com

Distribuitor Romania : SM TECH SRL <https://www.sm-tech.ro/> / 0374-991480 / info @ sm-tech.ro



V1. June 2021

© 2021 Wilson Tool International



Wilson Tool International | wilsontool.com | sales@wilsontool.eu.com