

MULTI-TOOLS® FOR PRIMA POWER MACHINES

MULTITOOL-uri pentru masini de stantat FINN POWER / PRIMA POWER

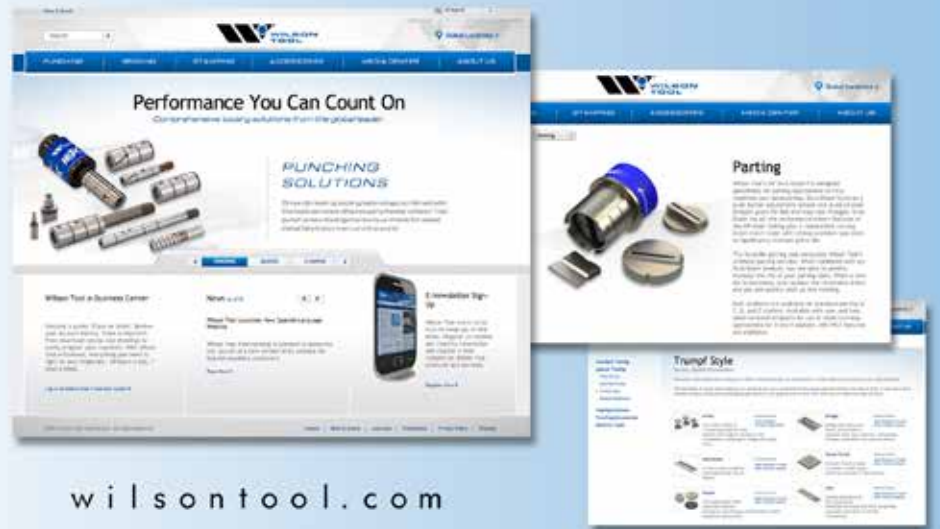
Distribuitor:
S.C. SM TECH S.R.L.
www.sm-tech.ro
www.wilsontool.ro
office @ sm-tech.ro
Tel: 0374-991480
Tel mob / WhatsApp : 0745-528494



SOLUTIONS FOR PUNCH PRESS TOOLING

CONNECT WITH US

wilsontool.com is your online source for the latest news and information from Wilson Tool. Available in seven languages, wilsontool.com is a great resource for all of our customers around the globe.



wilsontool.com



Our e-newsletters not only keep you up to date on the latest product and company news along with workshop and class information, but each month we provide a solutions-based article to improve performance and productivity in your shop. Register at wilsontool.com

Monthly Newsletters

Terms and Conditions

ORDER Minimum order is \$50.00

CREDIT REQUIREMENTS All orders are subject to approval by our Credit Department. If you are a new account, please furnish us with your tax exempt status, a bank reference, three current supplier references and/or your current D&B rating with your first order. A credit limit will be imposed on new accounts until credit has been established.

PAYMENT TERMS Terms are net 10 days. Catalog prices are subject to change without notice.

FREIGHT Orders are shipped F.O.B. from our manufacturing facility.(International Shipments are Incoterms: Ex Works).

ORDER CANCELLATION In the event an order is cancelled, an additional charge will be assessed to cover the cost of labor and material.

RETURNED MATERIAL A handling/restocking fee will be applied to all standard products returned for credit. A return authorization number and shipping instructions must be obtained in advance before an item can be returned.

CLAIMS All claims or product shortages must be made within 30 days of the invoice date.



U.S.A.	Tel: 800.328.9646	Fax: 800.222.0002	salesdesk@wilsontool.com
Canada	Tel: 800.268.5573	Fax: 800-668-9314	punching@wilsontoolcanada.com
Mexico	Tel: 001.800.741.2510	Fax: 001.800.544.2096	americalatina@wilsontool.com

MTXRi. Simply the Best in Multi-Tools®.

Let Wilson Tool's MTRi simplify your life. With easier-than-ever adjustments, tool changes, optimal grind life, and no additional tooling inventory needed, MTRi is the multi-tool quick-fix your shop needs.

Use your existing tooling

There's no need to purchase specialized tooling as MTRi uses Wilson HP or EXP thick turret punches, strippers and dies.

Change tooling with the push of a button

No extra time or tooling is required to change punches and strippers. These components can be replaced with a simple push-button mechanism.

Achieve optimal grind life

You'll have lower tooling costs as HP & EXP tooling offers up to .420 grind life in .059 material.

And more...

- Adjust punch length with a simple twist of the punch driver.
- No-measure visual guide makes setting tool length a snap.
- Numbered stations for faster-than-ever tool match-up.
- Your product stays mark-free, as punches are held in the "up" position when not in use.
- Internal lube port keeps all parts moving smoothly.

Same great features as Wilson's MTRi.

- Punch at any angle from 0°-360°.
- 3-station and 8-station options.
- Drop-in style allows for easy loading and unloading.
- Engineered with the strongest available tool steel.
- Optima® coating gives exceptional wear resistance.

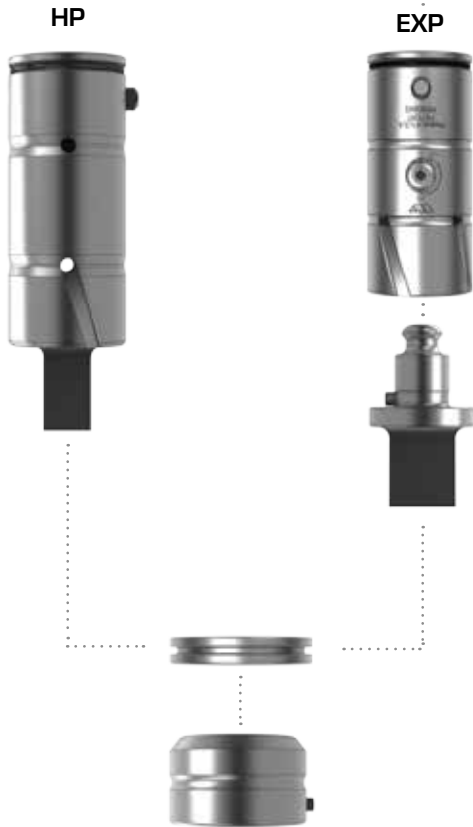


Multi-Tool is a registered trademark of Prima Power.

MTX3Ri ROTATIONAL - INDEXABLE MULTI-TOOLS®



45481
Punch Driver



MTX3Ri			
DESCRIPTION		CAT. NO.	
UPPER & LOWER ASSEMBLY		45465	
		HP	HP ABS/WLS
*HP PUNCH	Round Shape	2407 2408	2398 2399
		EXP	
**EXP PUNCH	Round Shape	13916 13917	
STRIPPER	Round Shape	1890 1917	2433 2432
DIE	Round Slug Hugger®* Round Standard Shape Slug Hugger® 2* Shape Positive Shape Negative	2194 2021 12961 2025 2026	
PUNCH DRIVER		45481	
SHAPED EXP PUNCH HOLDER		13918	

* Requires a Punch Driver

** EXP Requires an EXP Punch Holder and Driver

Max. material thickness of .250" (6.35mm) with a max. tonnage of 16 tons (142kn)

Max A Dimension 1.250" (31.75mm)

MTX8Ri ROTATIONAL - INDEXABLE MULTI-TOOLS®



MTX8Ri			
DESCRIPTION		CAT. NO.	
UPPER & LOWER ASSEMBLY		45483	
		HP	HP ABS/WLS
*HP PUNCH	Round Shape	2405 2406	2385 2389
		EXP	
**EXP PUNCH	Round Shape	13904 13905	
STRIPPER	Round Shape	13044 13143	13045 13152
DIE	Round Slug Hugger®* Round Standard Shape Slug Hugger® 2* Shape Positive Shape Negative	2192 1808 12959 1817 1818	
PUNCH DRIVER		45493	
SHAPED EXP PUNCH HOLDER		13906	

* Requires a Punch Driver

** EXP Requires an EXP Punch Holder and Driver

Max. material thickness of .250" (6.35mm) with a max. tonnage of 7 tons (62kn)

Max A Dimension .500" (12.7mm)

INDEXABLE (i) MULTI-TOOLS®



MT8i		
DESCRIPTION		CAT. NO.
P&D ASSY		45276
PUNCH	Round	6835
	Shape	6836
	Optima® Coating	-
STRIPPER	Round	474
	Shape	473
DIE	Round Slug Hugger®*	6177
	Round Standard	6164
	Shape Slug Hugger® 2*	6889
	Shape Positive	6165
	Shape Negative	6178

*Slug Hugger 2 dies must be ordered punch size plus clearance, .098 (2.49mm) min. dia. on rounds, .060 (1.52mm) min. width on shapes, .006 (0.15mm) min.
Max 'A' dimension .630" [16mm]



MT20i		
DESCRIPTION		CAT. NO.
P&D ASSY		45277
PUNCH	Round	6838
	Shape	6839
	Optima® Coating	-
STRIPPER	Round	6829
	Shape	35079
DIE	Round Slug Hugger®*	6185
	Round Standard	6081
	Shape Slug Hugger® 2*	6885
	Shape Positive	6149
	Shape Negative	6190

*Slug Hugger 2 dies must be ordered punch size plus clearance, .098 (2.49mm) min. dia. on rounds, .060 (1.52mm) min. width on shapes, .006 (0.15mm) min.
Max 'A' dimension .315" [8mm]



MT 6-A	
DESCRIPTION	CAT. NO.
Available through Prima Power	

NOTE: Takes standard "A" station punch assemblies and dies.



REPLACEMENT PARTS

MT3Ri		
DESCRIPTION		CAT. NO.
PUNCH	Round Punch Driver Assy.	35306
	Round Shape Punch Driver Assy.	2398
	Shape Punch Driver Assy.	35296
	Shape Punch Driver Only	2399
	Optima® Coating	35297
STRIPPER	Round Shape	77232
		77233
DIE	Round Slug Hugger®*	77236
	Round Standard	77234
	Shape Slug Hugger® 2*	77237
	Shape Positive	77235
Max 'A' dimension 1.250" [31.75mm]		

MT8Ri		
DESCRIPTION		CAT. NO.
PUNCH	Round Shape	6835
	Optima® Coating	6836
		-
STRIPPER	Round Shape	474
		473
DIE	Round Slug Hugger®*	6177
	Round Standard	6164
	Shape Slug Hugger® 2*	6889
	Shape Positive	6165
	Shape Negative	6178
Max 'A' dimension .630" [16mm]		

MT 6-16 & MT 10 - 16		
DESCRIPTION		CAT. NO.
PUNCH	Round Shape	6075
	Optima® Coating	6076
		-
STRIPPER	Round Shape	6073
		6074
DIE	Round Slug Hugger®*	6187
	Round Standard	6077
	Shape Slug Hugger® 2*	6883
	Shape Positive	6078
	Shape Negative	6192

MT 12-8		
DESCRIPTION		CAT. NO.
PUNCH	Round	6080
	Optima® Coating	-
STRIPPER	Round	6079
DIE	Round Slug Hugger®*	6185
	Round Standard	6081

MT 6-24 & MT 8-24		
DESCRIPTION		CAT. NO.
PUNCH	Round Shape	6150
	Optima® Coating	6153
STRIPPER	Round Shape (.750", 19.05mm Max 'A' dim)	6151
	Shape (7.756", 19.05mm 'A' dim)	6827
		6154
DIE	Round Slug Hugger®*	6189
	Round Standard	6152
	Shape Slug Hugger® 2* .750" max	6886
	Shape Slug Hugger® 2* >.750"	6887
	Shape Positive .750" max	6828
	Shape Positive >.750"	6155
	Shape Negative .750" max	6830
	Shape Negative >.750"	6194

MT 20-8 & MT 24-8		
DESCRIPTION		CAT. NO.
PUNCH	Round Shape	6080
	Optima® Coating	6147
		-
STRIPPER	Round Shape	6146
		6148
DIE	Round Slug Hugger®*	6185
	Round Standard	6081
	Shape Slug Hugger® 2*	6885
	Shape Positive	6149
	Shape Negative	6190
Max 'A' dimension .315" [8mm]		

* Slug Hugger® dies must be ordered punch size plus clearance, .098 (2.49mm) min. dia. on rounds, .060 (1.52mm) min. width on shapes, .006 (0.15mm) min. clearance (patented).

WILSON TOOL INTERNATIONAL

WORLD HEADQUARTERS

Wilson Tool International - United States

Tel (Free): 800-328-9646 | Tel: 651-286-6001
Fax (Free): 800-222-0002 | Fax: 651-286-5959
Email: sales@wilsontool.com

NORTH AMERICA

Wilson Tool - Canada

Punching and Stamping Division
Tel: 800-268-5573 | Fax: 800-668-9314
Email: punching@wilsontoolcanada.com

Wilson Tool - Canada

Press Brake Division
Tel: 800-268-4180 | Fax: 905-840-1032
Email: bending@wilsontoolcanada.com

Wilson Tool - Mexico

Tel: 52 (81) 8865-4820 | Fax: 52 (81) 8865-4599
Email: americalatina@wilsontool.com

SOUTH AMERICA

Wilson Tool - Argentina

Tel: +54 114 7920056
Email: ventasargentina@wilsontool.com

Milling Puncionadeiras - Brazil

Tel/Fax: 55 11 5621-2100
Email: vendas@millings.com.br

CHINA / PACIFIC RIM

Wilson Tool - China

Tel: +86 21 51089638 | Fax: +86 21 64422195
Email: sales@wilsontool.cn

EUROPE / MIDEAST / AFRICA

Wilson Tool - United Kingdom

Tel (Free): 0800-373748 | Tel: +44 1793 831818
Fax (Free): 0800-373758 | Fax: +44 1793 831945 or 46
Email: sales@wilsontool.eu.com

Wilson Tool - Germany

Tel (Free): 00800-9457668665 | Tel: +49 5723 747 0
Fax (Free): 00800-945766329 | Fax: +49 5723 747 10
Email: verkauf@wilsontool.eu.com

Wilson Tool - Denmark

Tel (Free): 80 20 20 24 | Tel: +45 44 53 1699
Fax (Free): 80 20 20 26 | Fax: +45 44 53 0607
Email: sales@wilsontool.dk

Wilson Tool - France

Tel: +33 (0) 164 13 47 80 | Fax: +33 (0) 164 13 47 81
Email: ventes@wilsontool.eu.com

Wilson Tool - South Africa

Tel: +27 11 849 1955 | Fax: 086 657 8629
Email: simon.penney@wilsontool.com

Toolspress - Italy

Tel: +39 0521 850510 / 850677
Fax: +39 0521 850796
Email: info@toolspress.com

P202C

© 2014 Wilson Tool International