

Scale stantare Trumpf forme STANDARD stil 2-4-1

2-4-1 SERIES



Flat Punch



Whisper Shear Punch



Long Punch



Urethane Stripper



Stripper



Coated Stripper



GL Die



Die Blade

PUNCH		Flat		Whisper Shear		Long Flat*		Optima® Add-on	Ultima® Add-on
'A' DIMENSION	CAT. NO.	PRICE	CAT. NO.	PRICE	CAT. NO.	PRICE			
01.50 - 30.00 mm	25771		25772		25773				Standard
30.01 - 40.00 mm	25777		25778		25779				
40.01 - 56.00 mm	25783		25784		25785				
56.01 - 66.00 mm	25789		25790		25791				
66.01 - 76.20 mm	25795		25796		25797				
PUSH ON 2-4-1 URETHANE STRIPPER		Flat		Whisper Shear		Long Flat*			
'A' DIMENSION	CAT. NO.	PRICE	CAT. NO.	PRICE	CAT. NO.	PRICE			
0 - 30.00 mm	26661		26649		26649				
30.01 - 40.00 mm	26662		26652		26652				
STRIPPER				Coated					
DESCRIPTION	CAT. NO.	PRICE	CAT. NO.	PRICE					
Group H/I	25359		26854						
Keyed	25028								
Stripper Pin	25179								
GL DIE				DIE SHIM					
SIZE	'A' DIMENSION	CAT. NO.	PRICE	DESCRIPTION	CAT. NO.	PRICE			
I	01.50 - 30.00 mm	26740		2 x 0.1 mm, 1 x 0.3 mm, 1 x 0.5 mm	25181				
				5 x 1.0 mm	26753				
				0.1 mm	25299				
				0.3 mm	25300				
				0.5 mm	25301				
II	30.01 - 76.20 mm	26726		2 x 0.1 mm, 1 x 0.3 mm, 1 x 0.5 mm	25182				
				5 x 1.0 mm	26752				
				0.1 mm	25296				
				0.3 mm	25297				
				0.5 mm	25298				
DIE BLADE				SHIM PACK - DIE BLADE					
'A' DIMENSION	CAT. NO.	PRICE	DESCRIPTION	CAT. NO.	PRICE				
0 - 40.00 mm	25979		1 x 1.0 mm, 2 x 0.5 mm,	25983					
40.01 - 56.00 mm	25981		1 x 0.38 mm, 1 x 0.3 mm,	25984					
			2 x 0.1 mm						

DESCRIPTION	'A' DIMENSION	NOTES
Wilson 2-4-1 system of punches and dies is designed to extend tool life and reduce set-up times.		<p>* Long Flat Punches and Urethane Strippers for Group I machines.</p> <p>Coated Strippers have a Nylon based coating to help reduce sheet marking when being used in an active stripping mode. Only available for Groups H & I.</p>

2-4-1 SERIES STANDARD SHAPES

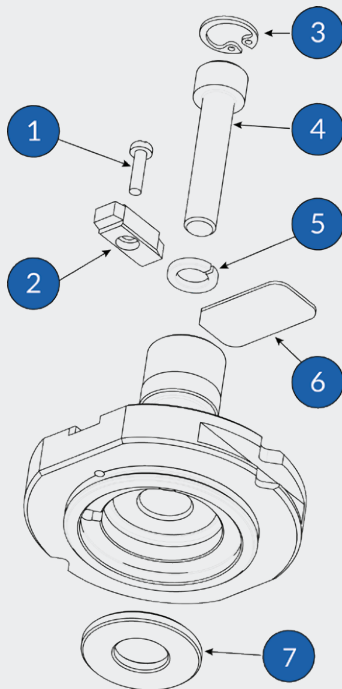


2-4-1 SERIES

PUNCH HOLDER ASSEMBLY			
LOCATION	'A' DIMENSION	CAT. NO.	PRICE
0° & 90°	0 - 40.00 mm	26659	
0°, 45° & 90°	0 - 40.00 mm	26678	
0° & 90°	40.01 - 76.20 mm	26660	

DIE ADAPTER			
DESCRIPTION	CAT. NO.	PRICE	
Size I & II	25165		

DIE BLADE HOLDER ASSEMBLY			
'A' DIMENSION	CAT. NO.	PRICE	
0 - 40.00 mm	25986		
40.01 - 56.00 mm	25987		



Punch Holder Assembly 26659 shown

DESCRIPTION	CAT. NO.
1 Cheese Head Screw M3 x 12mm [0 - 40]	25215
1 Cheese Head Screw M3 x 7mm [40.01 - 76.2]	24150
2 Location Key	25113
3 Internal Circlip 15.1 mm x 1.0mm	24424
4 Socket Head Cap Screw M8 x 40mm	30161
5 Lockwasher M8	974100
6 Magnetic I.D. Label (single)	26657
6 Magnetic I.D. Label (pack of 10)	26687
7 Punch Spacer 0 - 40.00 mm	25806
7 Punch Spacer 40.01 - 76.20 mm	25807

26 STANDARD SHAPES

